

|                   |                  |
|-------------------|------------------|
| <b>Date:</b>      | <b>Approved:</b> |
| <b>Type:</b>      |                  |
| <b>Luminaire:</b> |                  |
| <b>Project:</b>   |                  |

## FCW3065



**FCW3065** Exterior Decor luminaire is a die-cast aluminum 14-inch round luminaire and is IP65 rated. This ADA compliant, easy to install luminaire has an impact resistant lens that provides ample lighting for a variety of ceiling, wall or surface applications.



### SPECIFICATIONS

#### PHYSICAL

|                           |  |
|---------------------------|--|
| <b>dimensions</b>         | 14.1" Ø x 6.1" Deep  |
| <b>weight</b>             | 4 lbs  |
| <b>housing</b>            | Marine grade, corrosion resistant, heavy gauge high pressure die-cast aluminum; captive stainless steel tamper resistant hex head socket screws  |
| <b>lens</b>               | Impact resistant, UV stabilized, white polycarbonate diffuser  |
| <b>mounting</b>           | Masonry applications use four (4) 0.25" x 0.75" screws with lead anchors (fasteners not included, j-box by others)   |
| <b>ingress protection</b> | IP65 Rated. Suitable for wet, damp or dry location application, with extruded silicone gasket to seal out contaminants   |
| <b>finish</b>             | Available in Black, Bronze, Graphite Grey, Silver, White and Custom Colors.<br>Six stage chemical iron phosphate conversion pre-treatment. Polyester powder coat finish, 18 µm minimum thickness, 5,000 hours salt spray test (ASTM B117) compliant with Florida, AAMA 2604 specification. |

#### PERFORMANCE

|                                  |   |
|----------------------------------|---|
| <b>color temperature</b>         | 2700K, 3000K, 3500K, 4000K, 5000K           |
| <b>lumen output (@ 4K-CRI85)</b> | 750 lm, 1400 lm, 2100 lm, 2700 lm           |
| <b>lumen maintenance</b>         | L70 > 72,000 hours                          |
| <b>color consistency</b>         | 3 SDCM / Standard: 85 CRI, Optional: 90 CRI |
| <b>operating temperature</b>     | -13°F to 104°F (-25°C to 40°C)              |
| <b>warranty</b>                  | 5-Year limited warranty                     |

#### ELECTRICAL

|                          |   |
|--------------------------|---|
| <b>input voltage</b>     | Universal 120 - 277 VAC, Optional: 347 VAC (Integral)                                   |
| <b>power supply</b>      | Integral Class II, electronic high-power factor > 94% @120V                             |
| <b>certifications</b>    | ETL/cETL Listed, CEC Title 24 JA8 compliant (only 90 CRI complies), ADA Compliant       |
| <b>standards</b>         | UL 1598, CSA C22.2 No. 250.0 - Class II UL8750, CSA C22.2 No. 250.13, IES LM-79 / LM-80 |
| <b>power consumption</b> | 52W @ 120 - 277 VAC (Maximum)   |
| <b>dimming</b>           | Standard: 0-10V (1%), Optional: ELV (120V Only), DMX (Remote Only), DALI (Remote Only)  |

Due to continuous development and improvements, specifications are subject to change without notice. FC Lighting reserves the right to change lab test details or specifications without notice. Product use certifies agreement to FC Lighting terms and conditions. FCC Series Cylinder Lights are engineered and produced in our Illinois manufacturing facility.



# Ordering Information

## ORDERING INFORMATION

### INTEGRAL DRIVER

| FCW3065 |         |                           |           |              |                   |   |                                      |
|---------|---------|---------------------------|-----------|--------------|-------------------|---|--------------------------------------|
| SERIES  | VOLTAGE | CCT                       | CRI       | LUMENS       | FINISH            | OPTIONS   |                                      |
| FCW3065 | UNV     | 120 - 277 VAC             | 27K 2700K | CRI85 85 CRI | 8L 750 lm (14W)   | BKE Black   | LD 0-10V Dimming, 1% (Standard)      |
|         | 120V    | 120 VAC (PE120 &/or SP20) | 3K 3000K  | CRI90 90 CRI | 14L 1400 lm (26W) | BRE Bronze  | TPS Tamper Proof Screws              |
|         | 277V    | 277 VAC (PE120 &/or SP20) | 35K 3500K |              | 21L 2100 lm (39W) | GRE Graphite Grey   | F Fuse Line (1 Fuse with LED Driver) |
|         | 347V    | 347 VAC (347V &/or SP20)  | 4K 4000K  |              | 27L 2700 lm (52W) | SLE Silver  | CSM Conduit Surface Mount            |
|         |         | 5K 5000K                  |           |              | WHE White         | PE120 Photo Eye for 120V  |                                      |
|         |         |                           |           |              | CCE Custom Color  | PE277 Photo Eye for 277V  |                                      |
|         |         |                           |           |              |                   | SP20 20kV Surge Protector (1 SP20 with LED Driver) <sup>1</sup> |                                      |
|         |         |                           |           |              |                   | BBU Battery Backup, Integral <sup>2</sup>                       |                                      |

<sup>1</sup> Specify Voltage — 120V, 277V, or 347V.

<sup>2</sup> Specify Voltage — 120 – 277 VAC Only.

### REMOTE DRIVER & BATTERY BACKUP

| FCW3065R              |         |                         |           |              |                   |  |                                 |
|-----------------------|---------|-------------------------|-----------|--------------|-------------------|--|---------------------------------|
| SERIES                | VOLTAGE | CCT                     | CRI       | LUMENS       | FINISH            | OPTIONS  |                                 |
| FCW3065R <sup>†</sup> | UNV     | 120 - 277 VAC           | 27K 2700K | CRI85 85 CRI | 8L 750 lm (14W)   | BKE Black  | LD 0-10V Dimming, 1% (Standard) |
|                       | 120V    | 120 VAC (SP20 &/or ELV) | 3K 3000K  | CRI90 90 CRI | 14L 1400 lm (26W) | BRE Bronze   | ELV ELV Dimming (120V Only)     |
|                       | 277V    | 277 VAC (SP20)          | 35K 3500K |              | 21L 2100 lm (39W) | GRE Graphite Grey  | DMX DMX Dimming (Remote Only)   |
|                       |         |                         | 4K 4000K  |              | 27L 2700 lm (52W) | SLE Silver   | DALI DALI Dimming (Remote Only) |
|                       |         | 5K 5000K                |           |              | WHE White         | TPS Tamper Proof Screws  |                                 |
|                       |         |                         |           |              | CCE Custom Color  | F Fuse Line (1 Fuse with LED Driver, 2 Fuses with BBUR & BBUX Options)   |                                 |
|                       |         |                         |           |              |                   | CSM Conduit Surface Mount  |                                 |
|                       |         |                         |           |              |                   | BBUR Battery Backup & LED Driver Remote (Indoor), 40W, IP20, IK08, NEMA 1, 0° to 48 °C (32° to 118 °F), 30 FT Maximum Distance with 12AWG (w/ UNV Option Only), 500 Lumens Nominal |                                 |
|                       |         |                         |           |              |                   | SP20-BBUR 20kV Surge Protector (1 SP20 with LED Driver, 1 SP20 with BBUR) & Battery Backup, Remote (Indoor) <sup>1</sup>   |                                 |
|                       |         |                         |           |              |                   | DRR LED Driver Only Remote (Indoor)  |                                 |
|                       |         |                         |           |              |                   | BBUX Battery Backup & LED Driver Remote (Outdoor), IP67, IK10, NEMA 4X, -20° to 55°C (-4° to 131°F), 30 FT Maximum Distance with 12AWG (w/ UNV Option Only), 600 Lumens Nominal    |                                 |
|                       |         |                         |           |              |                   | SP20-BBUX 20kV Surge Protector (1 SP20 with LED Driver, 1 SP20 with BBUX) & Battery Backup, Remote (Outdoor) <sup>1</sup>  |                                 |
|                       |         |                         |           |              |                   | DRX LED Driver Only Remote (Outdoor)   |                                 |

<sup>†</sup> LED DRIVER REMOTE (INDOOR) IP20, IK08, NEMA 1,

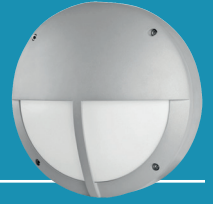
-20°C to +50°C, 30' MAX Distance with 12AWG.

<sup>1</sup> Specify Voltage — 120V or 277V.

### Consult Factory for other options and configurations.

To ensure you receive proper configurations for your lighting specifications, contact us directly about any unique application requirements. This may include but not be limited to lumen output, mounting needs, or electrical requirements.

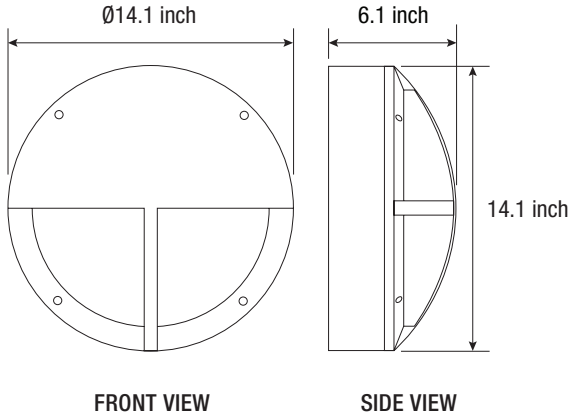
Due to continuous development and improvements, specifications are subject to change without notice. FC Lighting reserves the right to change lab test details or specifications without notice. Product use certifies agreement to FC Lighting terms and conditions. FCC Series Cylinder Lights are engineered and produced in our Illinois manufacturing facility.



# Dimensions

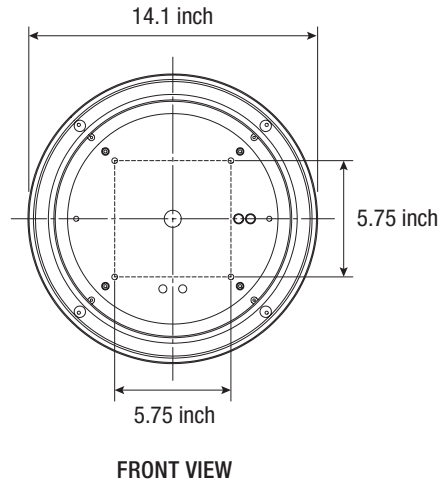
## PRODUCT DIMENSIONS - STANDARD PRODUCT

|       |         |
|-------|---------|
| width | 14.1" Ø |
| depth | 6.1" D  |

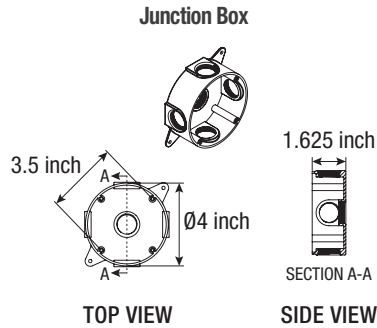
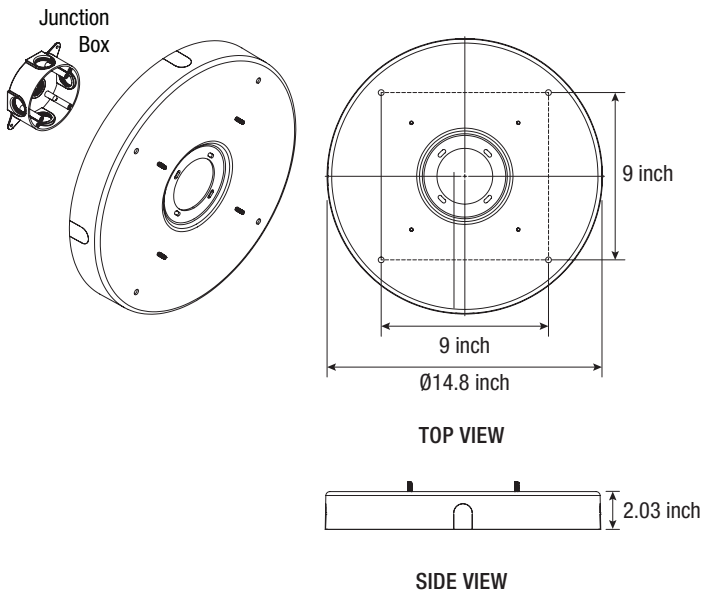


## MOUNTING - j-box sold by others

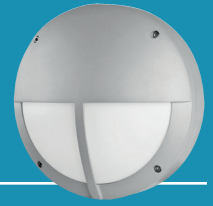
|                        |         |
|------------------------|---------|
| surface mounting width | 14.1" W |
|------------------------|---------|



## CONDUIT SURFACE MOUNT (CSM)



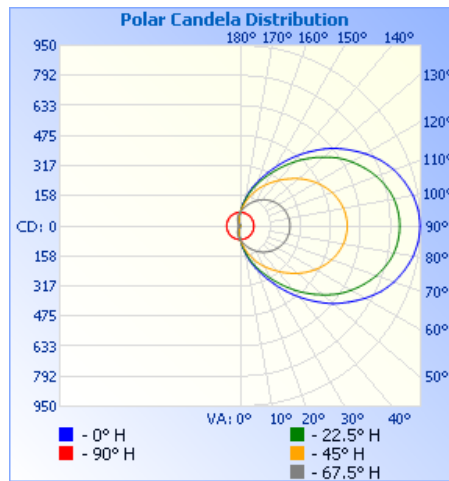
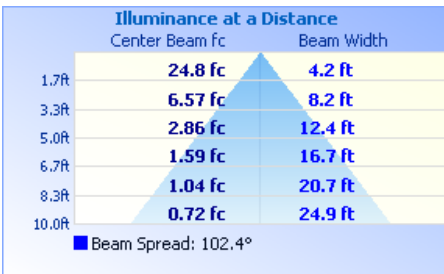
Due to continuous development and improvements, specifications are subject to change without notice. FC Lighting reserves the right to change lab test details or specifications without notice. Product use certifies agreement to FC Lighting terms and conditions. FCC Series Cylinder Lights are engineered and produced in our Illinois manufacturing facility.



# Photometry

## OPTICAL DISTRIBUTION

|                          |                 |
|--------------------------|-----------------|
| <b>lumen output</b>      | 2700 lm @ 4000K |
| <b>power consumption</b> | 52W             |



| COLOR              | MULTIPLIER |
|--------------------|------------|
| 80 CRI - 2700K CCT | 0.89       |
| 80 CRI - 3000K CCT | 0.96       |
| 80 CRI - 3500K CCT | 0.96       |
| 80 CRI - 4000K CCT | 1.00       |
| 80 CRI - 5000K CCT | 1.00       |
| 90 CRI - 2700K CCT | 0.70       |
| 90 CRI - 3000K CCT | 0.70       |
| 90 CRI - 3500K CCT | 0.78       |
| 90 CRI - 4000K CCT | 0.78       |
| 90 CRI - 5000K CCT | 0.78       |

illuminations testing laboratory :

## FCW3065

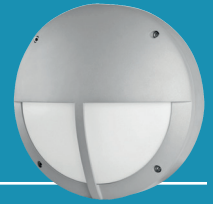
FIND IES FILES ON FCLIGHTING.COM



Due to continuous development and improvements, specifications are subject to change without notice. FC Lighting reserves the right to change lab test details or specifications without notice. Product use certifies agreement to FC Lighting terms and conditions. FCC Series Cylinder Lights are engineered and produced in our Illinois manufacturing facility.

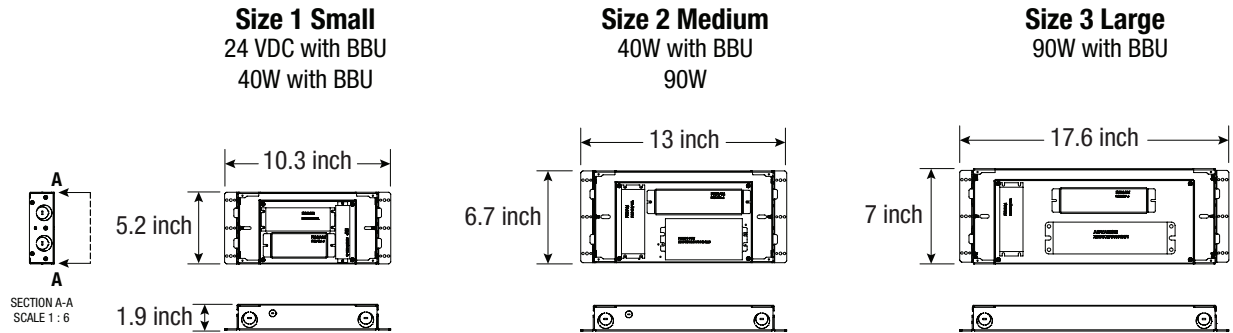
US Commercial Lighting Manufacturer Since 1982

Specification Sheet

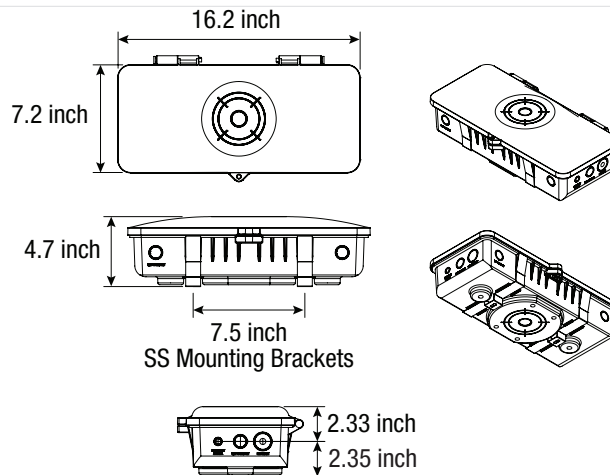


# Battery Backups

**BBUR** — Battery Backup & LED Driver Remote (Indoor), IP20, IK08, NEMA 1, 0 to 48 °C (32 to 118 °F), 30 feet Maximum Distance with 12 AWG (with UNV Option Only)



**BBUX** — Battery Backup & LED Driver Remote (Outdoor), IP67, IK10, NEMA 4X, -20 to 55 °C (-4 to 131 °F), 30 feet Maximum Distance with 12AWG (with UNV Option Only)



Due to continuous development and improvements, specifications are subject to change without notice. FC Lighting reserves the right to change lab test details or specifications without notice. Product use certifies agreement to FC Lighting terms and conditions. FCC Series Cylinder Lights are engineered and produced in our Illinois manufacturing facility.