

| | |
|-----------------|------------------|
| Date: | Approved: |
| Type: | |
| Fixture: | |
| Project: | |

FCW3150



FCW3150 Exterior Decor oval fixture is a die-cast aluminum ceiling or wall mount fixture and is IP65 rated. This ADA compliant, easy to install fixture has an impact resistant lens and provides ample lighting for ceiling, wall or surface mounting. Face options available in this family of fixtures with finish and color temperature options to specify a wide variety of applications.



SPECIFICATIONS

| PHYSICAL | |
|---------------------------|---|
| dimensions | 7" W x 10.8" H x 3.2" D |
| weight | 2.5 lbs |
| housing | Marine grade, corrosion resistant, heavy gauge high pressure die-cast aluminum; captive stainless steel tamper resistant hex head socket screws |
| lens | Impact and vandal resistant, UV stabilized, white opal, polycarbonate |
| mounting | Masonry applications use four (4) 0.25" x 0.75" screws with lead anchors (fasteners not included, j-box by others) |
| ingress protection | IP65 Rated. Suitable for wet, damp or dry location application, with extruded silicone gasket to seal out contaminants |
| finish | Six stage chemical iron phosphate pre-treatment. Polyester powder coat finish, 18 µm Min., 5000hr salt spray test (ASTM B117) compliant with Florida / AAMA 2604 specification. |

| PERFORMANCE | | | | |
|------------------------------|--|---------|---------|---------|
| color temperature | 2700K | 3000K | 3500K | 4000K |
| lumen output | 1140 lm | 1500 lm | 2340 lm | 3200 lm |
| lifetime | > 70,000 hours / L70 or better | | | |
| color consistency | 3 SDCM / standard: 85 CRI optional: 90 CRI | | | |
| operating temperature | -13°F to 104°F (-25°C to 40°C) | | | |
| junction temperature | 73°C @ T ^a 25°C | | | |
| warranty | 5-Year limited warranty (refer to website for details) | | | |

| ELECTRICAL | |
|--------------------------|---|
| input voltage | Universal 120 - 277 VAC optional: 347 VAC (Remote) |
| power supply | Integral Class II, electronic high-power factor > 94% @ 120V |
| certifications | ETL/cETL Listed, CEC Title 24 JA8 compliant (only 90CRI complies), ADA Compliant |
| standards | UL 1598 / CSA C22.2 No. 250.0; UL 8750 / CSA C22.2 No. 250.13; Class II / IES LM-79 / LM-80 |
| power consumption | 37W @ 120V (maximum) |
| dimming interface | Standard: 0-10V (1%) Optional: ELV (120V Only) / DMX (Remote) / DALI (Remote) |

Due to continuous development and improvements, specifications are subject to change without notice. FC Lighting reserves the right to change lab test details or specifications without notice. Product use certifies agreement to FC Lighting terms and conditions. FCC Series Cylinder Lights are engineered and produced in our Illinois manufacturing facility.



Ordering Information

ORDERING INFORMATION

| FCW3150 | | | | | | | | | |
|---------|-----------------------|-----------|-------------------------|---------------------|-------------------|---------------------------------|--|--|--|
| SERIES | VOLTAGE | CCT | CRI | LUMENS | FINISH | OPTIONS | | | |
| FCW3150 | UNV 120 - 277 VAC | 27K 2700K | CRI85 85 CRI (Standard) | 12L 1140 lm (14W) | BKE Black | LD 0-10V Dimming (10%) | | | |
| | | 3K 3000K | CRI90 90 CRI | 15L 1500 lm (18.5W) | BRE Bronze | ELV* ELV Dimming *(120V Only) | | | |
| | 347V 347 VAC (Remote) | 35K 3500K | | 24L 2340 lm (27W) | GRE Graphite Grey | DMX DMX Dimming (Remote Only) | | | |
| | | 4K 4000K | | 32L 3200 lm (37W) | SLE Silver | DALI DALI Dimming (Remote Only) | | | |
| | | | | | WHE White | | | | |
| | | | | | CCE Custom Color | | | | |

REMOTE DRIVER & BATTERY BACKUP

| FCW3150R | UNV | | | | | | | |
|-----------------------|-------------------|-----------|-------------------------|---------------------|-------------------|---|--|--|
| SERIES | VOLTAGE | CCT | CRI | LUMENS | FINISH | OPTIONS | | |
| FCW3150R [†] | UNV 120 - 277 VAC | 27K 2700K | CRI85 85 CRI (Standard) | 12L 1140 lm (14W) | BKE Black | LD 0-10V Dimming (10%) | | |
| | | 3K 3000K | CRI90 90 CRI | 15L 1500 lm (18.5W) | BRE Bronze | DMX DMX Dimming (Remote Only) | | |
| | | 35K 3500K | | 24L 2340 lm (27W) | GRE Graphite Grey | DALI DALI Dimming (Remote Only) | | |
| | | 4K 4000K | | 32L 3200 lm (37W) | SLE Silver | BBUR ¹ Battery Backup Remote (Indoor) | | |
| | | | | | WHE White | BBUX ² Battery Backup Remote (Outdoor) | | |
| | | | | | CCE Custom Color | N/A Leave Blank for Remote Driver Only (without Battery Backup) | | |

[†] LED DRIVER REMOTE (INDOOR) IP20, IK08, NEMA 1, -20°C to +50°C, 30' MAX Distance with 12AWG.

* Consult factory for outdoor remote driver only.

¹ Battery Back-up & LED Driver Remote (INDOOR), IP20, IK08, NEMA 1, 0°C to +48°C, 30' MAX Distance with 12AWG (w/UNV Option Only)

² Battery Back-up & LED Driver Remote (OUTDOOR), IP67, IK10, NEMA 4X, -20°C to +55°C, 30' MAX Distance with 12AWG (w/UNV Option Only)

Due to continuous development and improvements, specifications are subject to change without notice. FC Lighting reserves the right to change lab test details or specifications without notice. Product use certifies agreement to FC Lighting terms and conditions. FCC Series Cylinder Lights are engineered and produced in our Illinois manufacturing facility.



Dimensions

| PRODUCT DIMENSIONS - STANDARD PRODUCT | | MOUNTING - <i>j-box sold by others</i> | |
|---------------------------------------|---------|--|---------|
| width | 7" W | mounting plate width | 6.75" W |
| height | 10.8" H | <p>6.75 inch mounting plate: mounts flush to surface, included with fixture.</p> | |
| depth | 3.2" D | | |
| | | | |
| | | <div style="border: 1px solid black; padding: 2px; display: inline-block;"> 3.5" or 2.75" mounting diameter </div> | |

Due to continuous development and improvements, specifications are subject to change without notice. FC Lighting reserves the right to change lab test details or specifications without notice. Product use certifies agreement to FC Lighting terms and conditions. FCC Series Cylinder Lights are engineered and produced in our Illinois manufacturing facility.



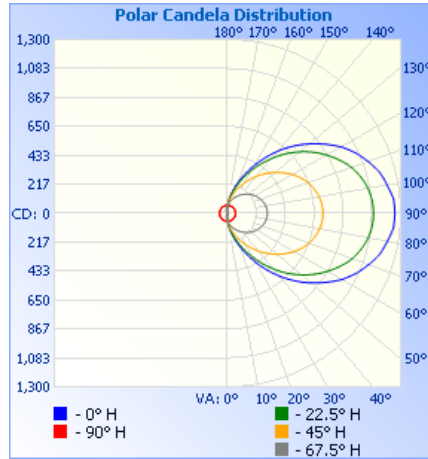
Photometry

OPTICAL DISTRIBUTION

| | |
|--------------------------|-----------------|
| lumen output | 3200 lm @ 4000K |
| power consumption | 37W |

| Illuminance at a Distance | | |
|---------------------------|----------------|------------|
| | Center Beam fc | Beam Width |
| 1.7ft | 20.7 fc | 4.0 ft |
| 3.3ft | 5.48 fc | 7.7 ft |
| 5.0ft | 2.39 fc | 11.7 ft |
| 6.7ft | 1.33 fc | 15.7 ft |
| 8.3ft | 0.87 fc | 19.5 ft |
| 10.0ft | 0.60 fc | 23.4 ft |

■ Vert. Spread: 99.0°
■ Horiz. Spread: 99.1°

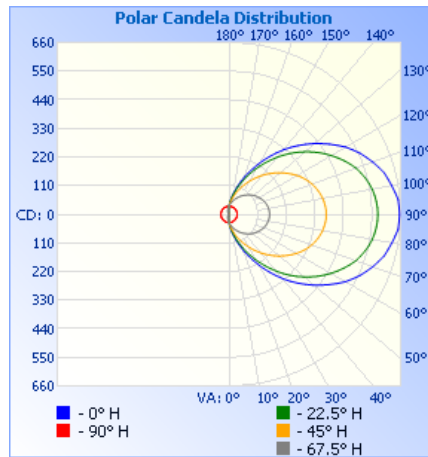


illuminations testing labortory : Report #1293

| | |
|--------------------------|-----------------|
| lumen output | 1681 Lm @ 4000K |
| power consumption | 19W |

| Illuminance at a Distance | | |
|---------------------------|----------------|------------|
| | Center Beam fc | Beam Width |
| 1.7ft | 10.8 fc | 4.0 ft |
| 3.3ft | 2.86 fc | 7.7 ft |
| 5.0ft | 1.25 fc | 11.7 ft |
| 6.7ft | 0.69 fc | 15.7 ft |
| 8.3ft | 0.45 fc | 19.5 ft |
| 10.0ft | 0.31 fc | 23.4 ft |

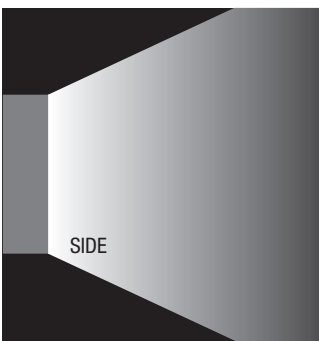
■ Vert. Spread: 99.0°
■ Horiz. Spread: 99.1°



illuminations testing labortory : Report #1293-L

FCW3150

FIND IES FILES ON FCLIGHTING.COM



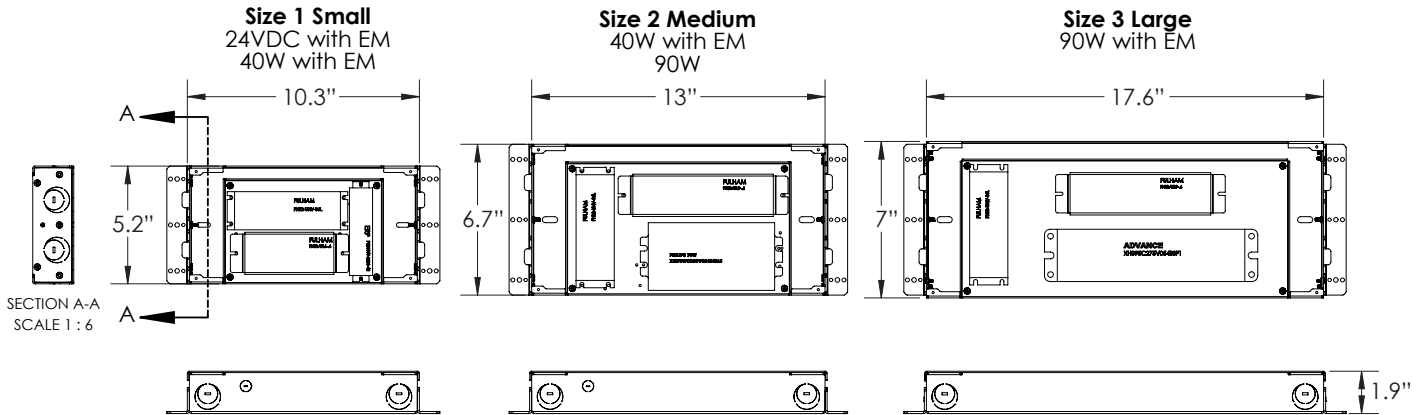
Due to continuous development and improvements, specifications are subject to change without notice. FC Lighting reserves the right to change lab test details or specifications without notice. Product use certifies agreement to FC Lighting terms and conditions. FCC Series Cylinder Lights are engineered and produced in our Illinois manufacturing facility.

US Commercial Lighting Manufacturer Since 1982

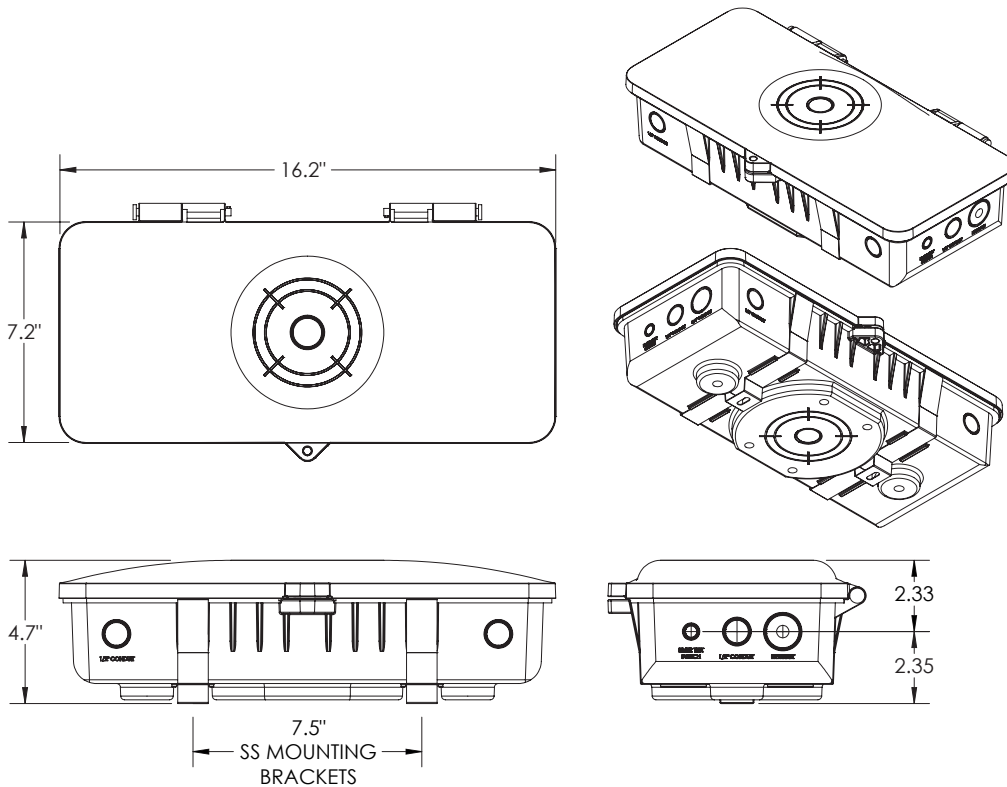
Specification Sheet

BATTERY BACK-UPS

BBUR - BATTERY BACK-UP & LED DRIVER REMOTE (INDOOR), IP20, IK08, NEMA 1, 0°C to +48°C, 30' MAX Distance with 12AWG (w/UNV Option Only)



BBUX - BATTERY BACK-UP & LED DRIVER REMOTE (OUTDOOR), IP67, IK10, NEMA 4X, -20°C to +55°C, 30' MAX Distance with 12AWG (w/UNV Option Only)



Due to continuous development and improvements, specifications are subject to change without notice. FC Lighting reserves the right to change lab test details or specifications without notice. Product use certifies agreement to FC Lighting terms and conditions. FCC Series Cylinder Lights are engineered and produced in our Illinois manufacturing facility.