

**Date:** \_\_\_\_\_  
**Type:** \_\_\_\_\_  
**Fixture:** \_\_\_\_\_  
**Project:** \_\_\_\_\_

**Approved:**

# FCW3153



**FCW3153** Exterior Decor mid-size oval fixture with face detail is a die-cast aluminum ceiling or wall mount fixture and is IP65 rated. This ADA compliant, easy to install fixture has an impact resistant lens and provides ample lighting for ceiling, wall or surface mounting. Face options available in this family of fixtures with finish and color temperature options to specify a wide variety of applications.



## SPECIFICATIONS

PHYSICAL	
<b>dimensions</b>	7" W x 10.8" H x 3.9" D
<b>weight</b>	2.5 lbs
<b>housing</b>	Marine grade, corrosion resistant, heavy gauge high pressure die-cast aluminum; captive stainless steel tamper resistant hex head socket screws
<b>lens</b>	Impact and vandal resistant, UV stabilized, white opal, polycarbonate
<b>mounting</b>	Masonry applications use four (4) 0.25" x 0.75" screws with lead anchors (fasteners not included, j-box by others)
<b>ingress protection</b>	IP65 Rated. Suitable for wet, damp or dry location application, with extruded silicone gasket to seal out contaminants
<b>finish</b>	Six stage chemical iron phosphate conversion pre-treatment. Polyester powder coat finish, 18 µm Min., 5000hr salt spray test (ASTM B117) compliant with Florida / AAMA 2604 specification.

PERFORMANCE				
<b>color temperature</b>	2700K	3000K	3500K	4000K
<b>lumen output</b>	1140 lm   1500 lm   2340 lm   3040 lm			
<b>lifetime</b>	> 70,000 hours / L70 or better			
<b>color consistency</b>	3 SDCM / standard: 85 CRI   optional: 90 CRI			
<b>operating temperature</b>	-13°F to 104°F (-25°C to 40°C)			
<b>junction temperature</b>	73°C @ T <sup>a</sup> 25°C			
<b>warranty</b>	5-Year limited warranty (refer to website for details)			

ELECTRICAL	
<b>input voltage</b>	Universal 120 - 277 VAC   optional: 347 VAC (Remote)
<b>power supply</b>	Integral Class II, electronic high-power factor > 94% @ 120V
<b>certifications</b>	ETL/cETL Listed, CEC Title 24 JA8 compliant (only 90CRI complies), ADA Compliant
<b>standards</b>	UL 1598 / CSA C22.2 No. 250.0; UL 8750 / CSA C22.2 No. 250.13; Class II / IES LM-79 / LM-80
<b>power consumption</b>	37W @ 120V (maximum)
<b>dimming</b>	<b>Standard:</b> 0-10V (1%)   <b>optional:</b> ELV (120V only) / DMX (Remote) / DALI (Remote)

Due to continuous development and improvements, specifications are subject to change without notice. FC Lighting reserves the right to change lab test details or specifications without notice. Product use certifies agreement to FC Lighting terms and conditions. FCC Series Cylinder Lights are engineered and produced in our Illinois manufacturing facility.

# FCW3153



# Ordering Information

## ORDERING INFORMATION

FCW3153																
SERIES	VOLTAGE		CCT		CRI		LUMENS		FINISH		OPTIONS					
FCW3153	UNV	120 - 277 VAC		27K	2700K	CRI85	85 CRI (Standard)		12L	1140 lm (14W)		BKE	Black	LD	0-10V Dimming (10%)	
		347V 347 VAC (Remote)		3K	3000K	CRI90	90 CRI		15L	1500 lm (18.5W)		BRE	Bronze	ELV*	ELV Dimming *(120V Only)	
			35K	3500K			24L	2340 lm (27W)		GRE	Graphite Grey		DMX	DMX Dimming (Remote Only)		
			4K	4000K			32L	3200 lm (37W)		SLE	Silver		DALI	DALI Dimming (Remote Only)		
									WHE	White						
									CCE	Custom Color						

## REMOTE DRIVER & BATTERY BACKUP

FCW3153R																
SERIES	VOLTAGE		CCT		CRI		LUMENS		FINISH		OPTIONS					
FCW3153R <sup>†</sup>	UNV	120 - 277 VAC		27K	2700K	CRI85	85 CRI (Standard)		12L	1140 lm (14W)		BKE	Black	LD	0-10V Dimming (10%)	
				3K	3000K	CRI90	90 CRI		15L	1500 lm (18.5W)		BRE	Bronze	DMX	DMX Dimming (Remote Only)	
			35K	3500K			24L	2340 lm (27W)		GRE	Graphite Grey		DALI	DALI Dimming (Remote Only)		
			4K	4000K			32L	3200 lm (37W)		SLE	Silver		BBUR <sup>1</sup>	Battery Backup Remote (Indoor)		
									WHE	White		BBUX <sup>2</sup>	Battery Backup Remote (Outdoor)			
									CCE	Custom Color		N/A	Leave Blank for Remote Driver Only (without Battery Backup)			

<sup>†</sup> LED DRIVER REMOTE (INDOOR) IP20, IK08, NEMA 1, -20°C to +50°C, 30' MAX Distance with 12AWG.  
 \* Consult factory for outdoor remote driver only.

<sup>1</sup> Battery Back-up & LED Driver Remote (INDOOR), IP20, IK08, NEMA 1, 0°C to +48°C, 30' MAX Distance with 12AWG (w/UNV Option Only)  
<sup>2</sup> Battery Back-up & LED Driver Remote (OUTDOOR), IP67, IK10, NEMA 4X, -20°C to +55°C, 30' MAX Distance with 12AWG (w/UNV Option Only)

Due to continuous development and improvements, specifications are subject to change without notice. FC Lighting reserves the right to change lab test details or specifications without notice. Product use certifies agreement to FC Lighting terms and conditions. FCC Series Cylinder Lights are engineered and produced in our Illinois manufacturing facility.

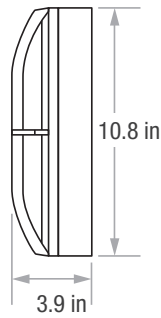
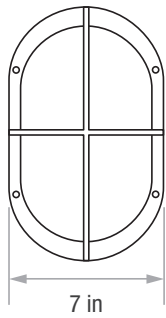
# Dimensions

FCW3153

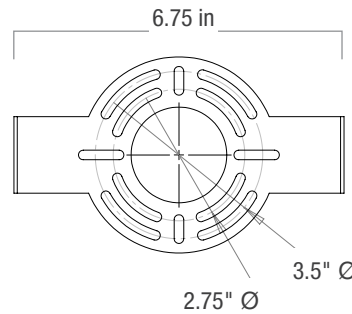


**PRODUCT DIMENSIONS - STANDARD PRODUCT** | **MOUNTING - j-box sold by others**

width	7" W
height	10.8" H
depth	3.9" D



mounting plate width	6.75" W
----------------------	---------



6.75 inch mounting plate:  
mounts flush to surface,  
included with fixture.

3.5" or 2.75" mounting diameter

Due to continuous development and improvements, specifications are subject to change without notice. FC Lighting reserves the right to change lab test details or specifications without notice. Product use certifies agreement to FC Lighting terms and conditions. FCC Series Cylinder Lights are engineered and produced in our Illinois manufacturing facility.

 US Commercial Lighting Manufacturer Since 1982

**Specification Sheet**

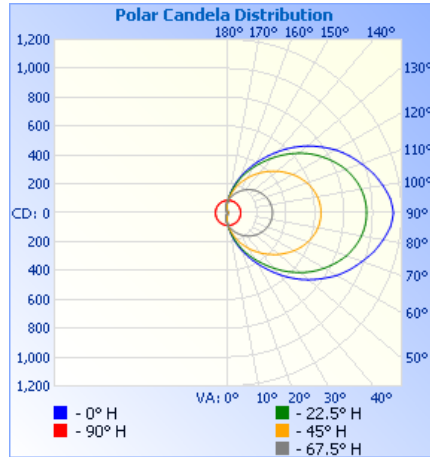
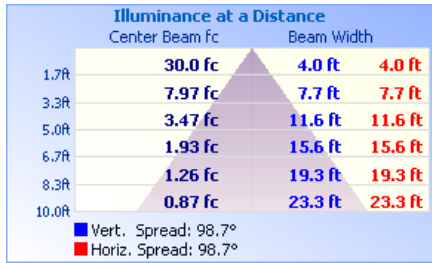
# Photometry

FCW3153



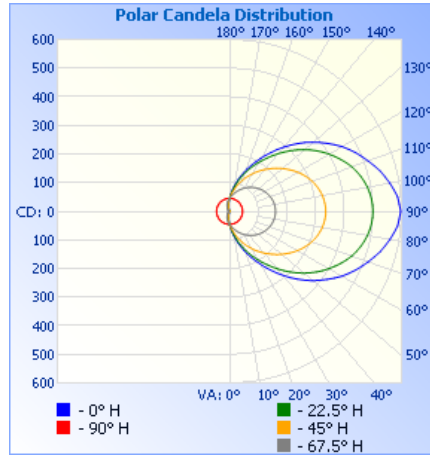
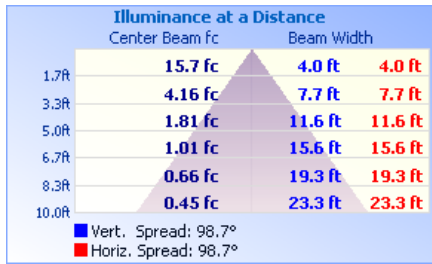
## OPTICAL DISTRIBUTION

<b>lumen output</b>	3042 Lm @ 4000K
<b>power consumption</b>	37W



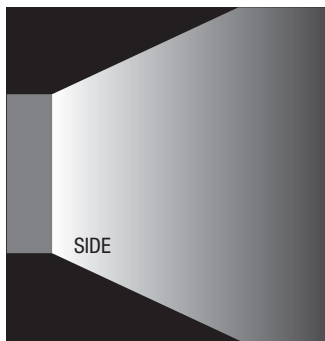
illuminations testing labroatory : Report #1294

<b>lumen output</b>	1587 Lm @ 4000K
<b>power consumption</b>	19W



illuminations testing labroatory : Report #1294-L

## FCW3153 FIND IES FILES ON FCLIGHTING.COM



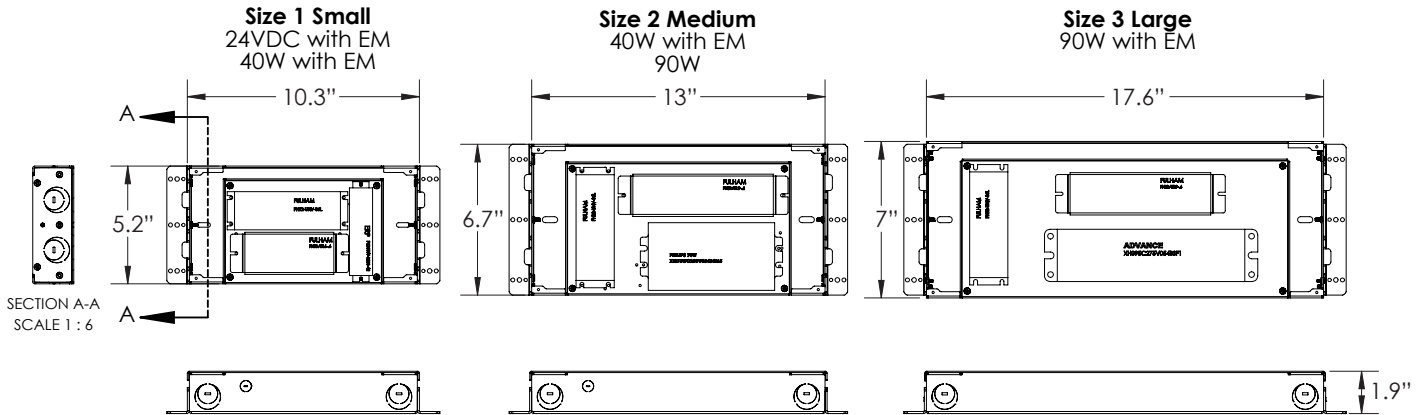
Due to continuous development and improvements, specifications are subject to change without notice. FC Lighting reserves the right to change lab test details or specifications without notice. Product use certifies agreement to FC Lighting terms and conditions. FCC Series Cylinder Lights are engineered and produced in our Illinois manufacturing facility.

 US Commercial Lighting Manufacturer Since 1982

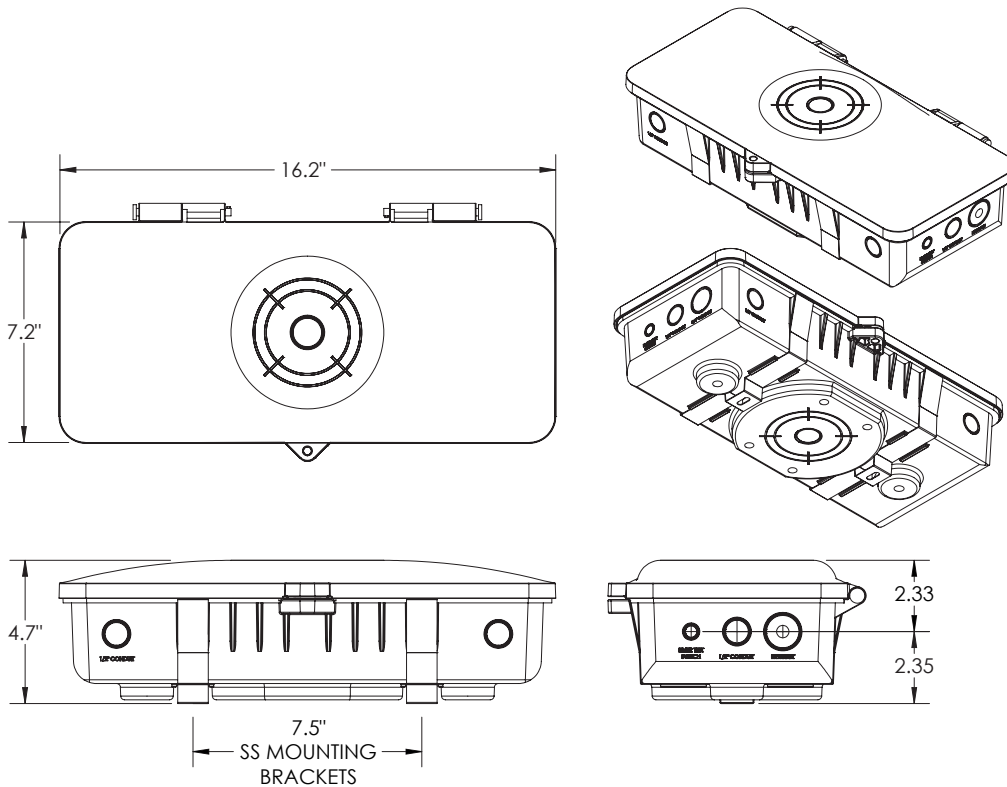
Specification Sheet

**BATTERY BACK-UPS**

**BBUR - BATTERY BACK-UP & LED DRIVER REMOTE (INDOOR), IP20, IK08, NEMA 1, 0°C to +48°C, 30' MAX Distance with 12AWG (w/UNV Option Only)**



**BBUX - BATTERY BACK-UP & LED DRIVER REMOTE (OUTDOOR), IP67, IK10, NEMA 4X, -20°C to +55°C, 30' MAX Distance with 12AWG (w/UNV Option Only)**



Due to continuous development and improvements, specifications are subject to change without notice. FC Lighting reserves the right to change lab test details or specifications without notice. Product use certifies agreement to FC Lighting terms and conditions. FCC Series Cylinder Lights are engineered and produced in our Illinois manufacturing facility.