

## FCW3260



**FCW3260** Exterior Decor luminaire is the largest die-cast aluminum 15-inch diamond faced luminaire and is IP65 rated. This luminaire is easy to install and has an impact resistant lens that provides ample lighting for a variety of ceiling, wall or surface applications. Available in three face options to complete the design specification that best suits your project.



### SPECIFICATIONS

#### PHYSICAL

<b>dimensions</b>	10.6" Square (15" point to point) x 5.2" Deep
<b>weight</b>	3.5 lbs
<b>housing</b>	Marine grade, corrosion resistant, heavy gauge high pressure die-cast aluminum; captive stainless steel tamper resistant hex head socket screws
<b>lens</b>	Impact and vandal resistant, UV stabilized, white opal, polycarbonate
<b>mounting</b>	Ceiling, wall or surface mount applications: mounting holes allow unit to be attached directly to octagonal junction box
<b>ingress protection</b>	IP65 Rated. Suitable for wet, damp or dry location application, with extruded silicone gasket to seal out contaminants
<b>finish</b>	Available in Black, Bronze, Graphite Grey, Silver, White and Custom Colors. Six stage chemical iron phosphate conversion pre-treatment. Polyester powder coat finish, 18 µm minimum, 5,000 hour salt spray test (ASTM B117) compliant with Florida / AAMA 2604 specification.

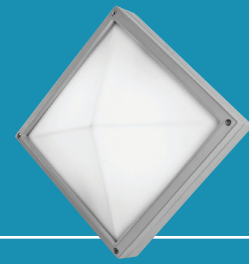
#### PERFORMANCE

<b>color temperature</b>	2700K, 3000K, 3500K, 4000K, 5000K
<b>lumen output</b>	1170 lm, 1750 lm, 2500 lm, 3500 lm
<b>lumen maintenance</b>	L70 > 70,000 hours
<b>color consistency</b>	3 SDCM / standard: 85 CRI, optional: 90 CRI
<b>operating temperature</b>	-13°F to 104°F (-25°C to 40°C)
<b>warranty</b>	5-Year limited warranty

#### ELECTRICAL

<b>input voltage</b>	Universal 120 - 277 VAC, optional: 347 VAC (Integral)
<b>power supply</b>	Integral Class II, electronic high-power factor > 94% @ 120V
<b>certifications</b>	ETL/cETL Listed, CEC Title 24 JA8 compliant (only 90CRI complies)
<b>standards</b>	UL 1598 / CSA C22.2 No. 250.0; UL 8750 / CSA C22.2 No. 250.13; Class II / IES LM-79 / LM-80
<b>power consumption</b>	41W @ 120V - 277V (maximum)
<b>dimming</b>	<b>Standard:</b> 0-10V (1%), <b>Optional:</b> ELV (120V Only) / DMX (Integral) / DALI (Integral)

Due to continuous development and improvements, specifications are subject to change without notice. FC Lighting reserves the right to change lab test details or specifications without notice. Product use certifies agreement to FC Lighting terms and conditions. FCC Series Cylinder Lights are engineered and produced in our Illinois manufacturing facility.



## Ordering Information

### ORDERING INFORMATION

FCW3260											
SERIES	VOLTAGE		CCT		CRI		LUMENS		FINISH		OPTIONS
<b>FCW3260</b>	<b>UNV</b>	120 - 277 VAC	<b>27K</b>	2700K	<b>CRI85</b>	85 CRI (Standard)	<b>12L</b>	1200 lm (15W)	<b>BKE</b>	Black	<b>LD</b> 0-10V Dimming (10%)
	<b>120V</b>	120 VAC	<b>3K</b>	3000K	<b>CRI90</b>	90 CRI	<b>18L</b>	1760 lm (22W)	<b>BRE</b>	Bronze	<b>ELV*</b> ELV Dimming* (120V Only)
	<b>347V</b>	347 VAC (Remote)	<b>35K</b>	3500K			<b>25L</b>	2500 lm (30.5W)	<b>GRE</b>	Graphite Grey	
			<b>4K</b>	4000K			<b>51L</b>	5100 lm (61W)	<b>SLE</b>	Silver	
			<b>5K</b>	5000K					<b>WHE</b>	White	
								<b>CCE</b>	Custom Color		

### REMOTE DRIVER & BATTERY BACKUP

FCW3260R											
SERIES	VOLTAGE		CCT		CRI		LUMENS		FINISH		OPTIONS
<b>FCW3260R<sup>†</sup></b>	<b>UNV</b>	120 - 277 VAC	<b>27K</b>	2700K	<b>CRI85</b>	85 CRI (Standard)	<b>12L</b>	1200 lm (15W)	<b>BKE</b>	Black	<b>LD</b> 0-10V Dimming (10%)
			<b>3K</b>	3000K	<b>CRI90</b>	90 CRI	<b>18L</b>	1760 lm (22W)	<b>BRE</b>	Bronze	<b>DMX</b> DMX Dimming (Remote Only)
			<b>35K</b>	3500K			<b>25L</b>	2500 lm (30.5W)	<b>GRE</b>	Graphite Grey	<b>DALI</b> DALI Dimming (Remote Only)
			<b>4K</b>	4000K			<b>51L</b>	5100 lm (61W)	<b>SLE</b>	Silver	<b>BBUR<sup>1</sup></b> Battery Backup Remote (Indoor)
			<b>5K</b>	5000K					<b>WHE</b>	White	<b>BBUX<sup>2</sup></b> Battery Backup Remote (Outdoor)
								<b>CCE</b>	Custom Color	<b>N/A</b> Leave Blank for Remote Driver Only (without Battery Backup)	

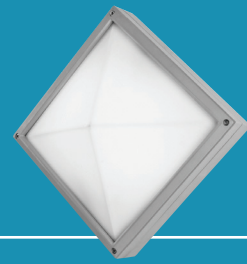
<sup>†</sup> LED DRIVER REMOTE (INDOOR) IP20, IK08, NEMA 1, -20°C to +50°C, 30' MAX Distance with 12AWG.

\*Consult factory for outdoor remote driver only.

<sup>1</sup> Battery Back-up & LED Driver Remote (INDOOR), IP20, IK08, NEMA 1, 0°C to +48°C, 30' MAX Distance with 12AWG (w/UNV Option Only)

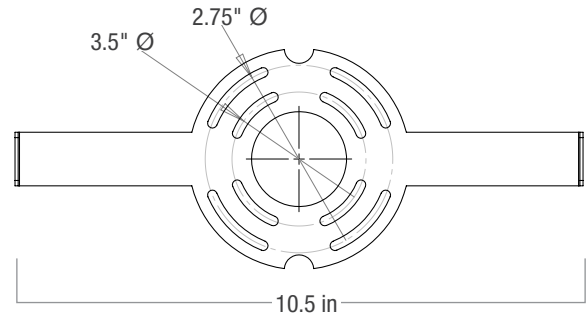
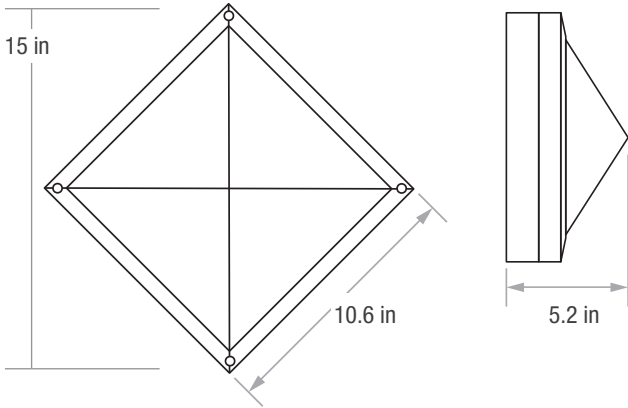
<sup>2</sup> Battery Back-up & LED Driver Remote (OUTDOOR), IP67, IK10, NEMA 4X, -20°C to +55°C, 30' MAX Distance with 12AWG (w/UNV Option Only)

Due to continuous development and improvements, specifications are subject to change without notice. FC Lighting reserves the right to change lab test details or specifications without notice. Product use certifies agreement to FC Lighting terms and conditions. FCC Series Cylinder Lights are engineered and produced in our Illinois manufacturing facility.



# Dimensions

PRODUCT DIMENSIONS - STANDARD PRODUCT		MOUNTING - <i>j-box sold by others</i>	
height (point to point)	15" W	mounting plate width	10.5" W
width (sq)	10.6" W	10.5 inch mounting plate: mounts flush to surface, included with fixture.	
depth	5.2" D		

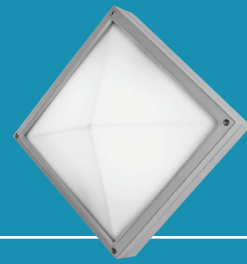


3.5" or 2.75" mounting diameter

Due to continuous development and improvements, specifications are subject to change without notice. FC Lighting reserves the right to change lab test details or specifications without notice. Product use certifies agreement to FC Lighting terms and conditions. FCC Series Cylinder Lights are engineered and produced in our Illinois manufacturing facility.

US Commercial Lighting Manufacturer Since 1982

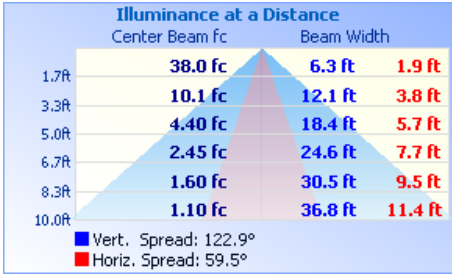
**Specification Sheet**



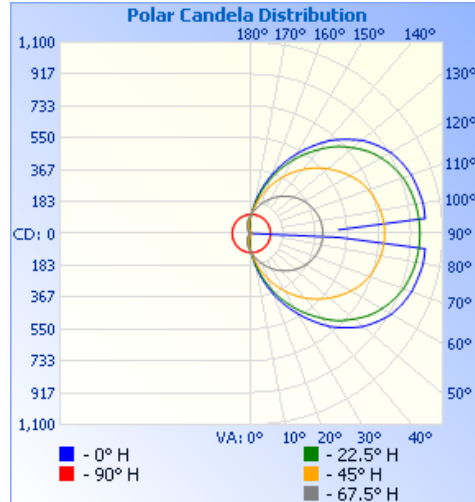
# Photometry

## OPTICAL DISTRIBUTION

<b>lumen output</b>	3500 lm @ 4000K
<b>power consumption</b>	41W

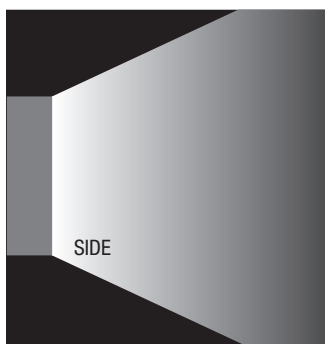


iti illuminations testing laboratory :



COLOR	MULTIPLIER
80 CRI - 2700K CCT	0.89
80 CRI - 3000K CCT	0.96
80 CRI - 3500K CCT	0.96
80 CRI - 4000K CCT	1.00
80 CRI - 5000K CCT	1.00
90 CRI - 2700K CCT	0.70
90 CRI - 3000K CCT	0.70
90 CRI - 3500K CCT	0.78
90 CRI - 4000K CCT	0.78
90 CRI - 5000K CCT	0.78

**FCW3260** FIND IES FILES ON [FCLIGHTING.COM](http://FCLIGHTING.COM)



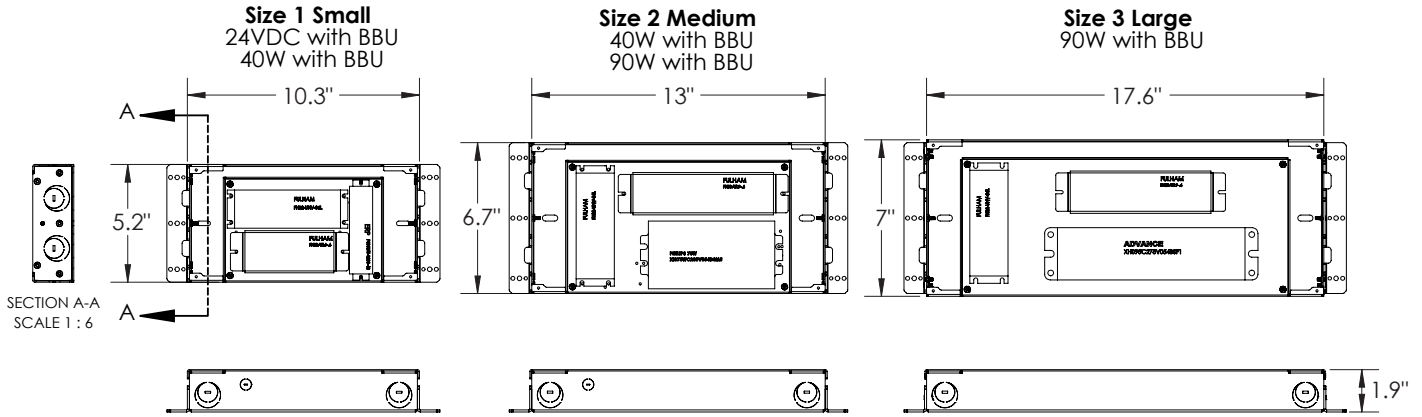
Due to continuous development and improvements, specifications are subject to change without notice. FC Lighting reserves the right to change lab test details or specifications without notice. Product use certifies agreement to FC Lighting terms and conditions. FCC Series Cylinder Lights are engineered and produced in our Illinois manufacturing facility.

US Commercial Lighting Manufacturer Since 1982

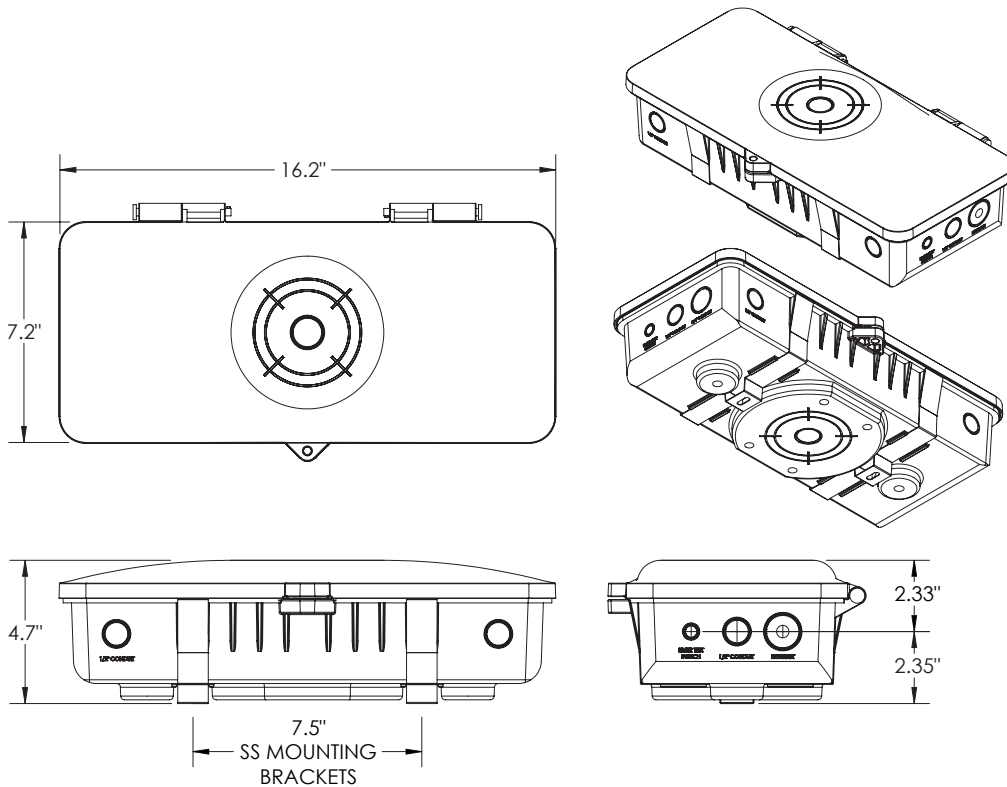
**Specification Sheet**

**BATTERY BACK-UPS**

**BBUR - BATTERY BACK-UP & LED DRIVER REMOTE (INDOOR), IP20, IK08, NEMA 1, 0°C to +48°C, 30' MAX Distance with 12AWG (w/UNV Option Only)**



**BBUX - BATTERY BACK-UP & LED DRIVER REMOTE (OUTDOOR), IP67, IK10, NEMA 4X, -20°C to +55°C, 30' MAX Distance with 12AWG (w/UNV Option Only)**



Due to continuous development and improvements, specifications are subject to change without notice. FC Lighting reserves the right to change lab test details or specifications without notice. Product use certifies agreement to FC Lighting terms and conditions. FCC Series Cylinder Lights are engineered and produced in our Illinois manufacturing facility.