

FCW3260 Series - INSTALLATION INSTRUCTIONS

CAUTION: BEFORE CONNECTING THE FIXTURE TO A POWER SUPPLY, MAKE SURE THE POWER IS SWITCHED OFF.



corporate
t 800.900.1730
f 630.889.8106
3609 Swenson Ave.
St. Charles, IL 60174

NOTE: Includes models; 3260, 3262, 5263

DETAILED ILLUSTRATION

GENERAL:

1. Before starting the installation, make sure all electricity has been turned off and electrical breaker has been locked out and tagged out.
2. To ensure the success of the installation, be sure to read these instructions and review the diagrams thoroughly before beginning.
3. All electrical connections must be in accordance with local codes, ordinances, or the National Electrical Code.
4. These fixtures are intended to be mounted to a J-Box directly supported by the building structure.

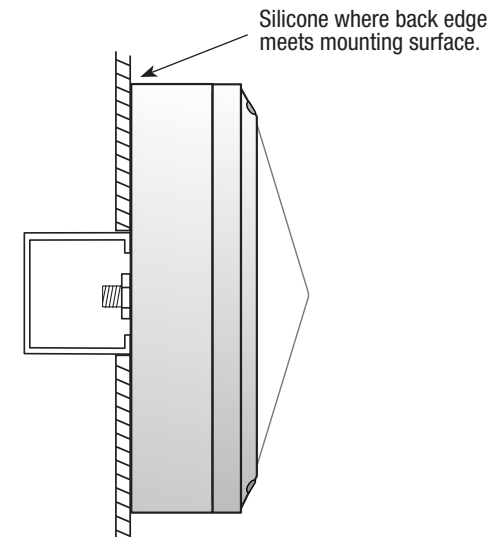
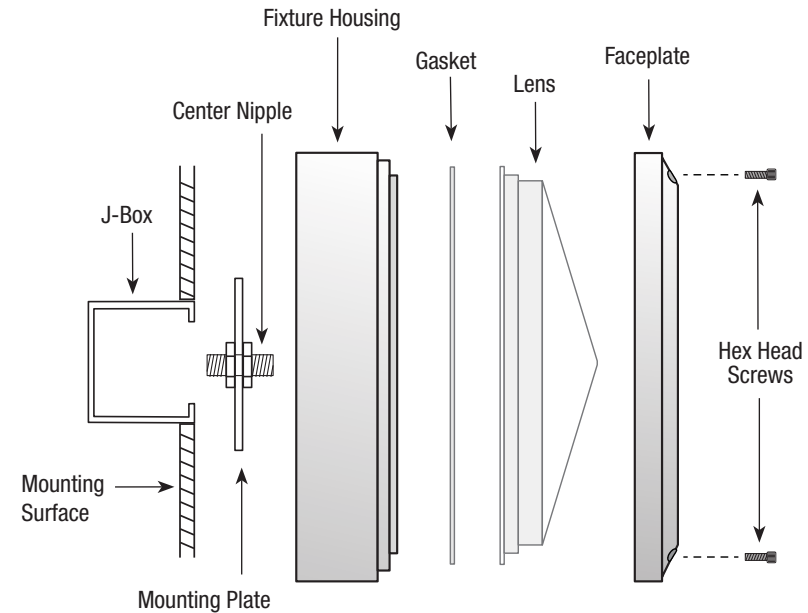
NOTE: The important safeguards and instructions appearing in this manual are not meant to cover all possible conditions and situations that may occur.

INSTALLATION

1. Loosen hex head screws to remove Faceplate Lens and Gasket.
2. Remove screws securing lamping component tray (guts) from Fixture Housing to access nut holding Mounting Plate.
3. Remove Mounting Plate from back of Fixture Housing by loosening the nut around the Center Nipple.
4. Pass wiring from fixture through Housing and Center Nipple on Mounting Plate to make code approved wiring connections at J-Box.
5. Secure Mounting Plate to J-Box.
6. Fasten Fixture Housing to secured Mounting Plate using nut on Center Nipple.

NOTE: Ensure that Fixture is level before finally tightening. You can add additional anchors to back of Fixture Housing if desired.

7. Replace component tray into Housing. If not LED, install correct lamp per label.
8. Replace Lens & Faceplate, tightening screws evenly to properly seal fixture.
9. Installer must add a bead of silicone where edge of Fixture meets the Mounting Surface



CONFIDENTIAL

THIS DOCUMENT IS THE PROPRIETARY PROPERTY OF FC LIGHTING, INC. ANY UNAUTHORIZED TRANSFER, USE OR REPRODUCTION IS STRICTLY PROHIBITED.

Rev. 814

©2014 FC LIGHTING, INC.