

## FCW3353



<b>Date:</b>	<b>Approved:</b>
<b>Type:</b>	
<b>Luminaire:</b>	
<b>Project:</b>	

**FCW3353** Exterior Decor luminaire is a die-cast aluminum 10-inch square luminaire and is IP65 rated. This ADA compliant, easy to install luminaire has an impact resistant lens that provides ample lighting for a variety of ceiling, wall or surface applications.



### SPECIFICATIONS

#### PHYSICAL

<b>dimensions</b>	10.6" Square x 3" Deep
<b>weight</b>	2.5 lbs
<b>housing</b>	Marine grade, corrosion resistant, heavy gauge high pressure die-cast aluminum; captive stainless steel tamper resistant hex head socket screws
<b>lens</b>	Impact and vandal resistant, UV stabilized, white opal, polycarbonate
<b>mounting</b>	Masonry applications use four (4) 0.25" x 0.75" screws with lead anchors (fasteners not included, j-box by others)
<b>ingress protection</b>	IP65 Rated. Suitable for wet, damp or dry location application, with extruded silicone gasket to seal out contaminants
<b>finish</b>	Available in Black, Bronze, Graphite Grey, Silver, White and Custom Colors. Six stage chemical iron phosphate conversion pre-treatment. Polyester powder coat finish, 18 µm minimum thickness, 5,000 hours salt spray test (ASTM B117) compliant with Florida, AAMA 2604 specification.

#### PERFORMANCE

<b>color temperature</b>	2700K, 3000K, 3500K, 4000K, 5000K
<b>lumen output (@ 4K-CRI85)</b>	1100 lm, 1650 lm, 2375 lm, 3000 lm
<b>lumen maintenance</b>	L70 > 72,000 hours
<b>color consistency</b>	3 SDCM / Standard: 85 CRI, Optional: 90 CRI
<b>operating temperature</b>	-13°F to 104°F (-25°C to 40°C)
<b>warranty</b>	5-Year limited warranty

#### ELECTRICAL

<b>input voltage</b>	Universal 120 - 277 VAC, Optional: 347 VAC (Integral)
<b>power supply</b>	Integral Class II, electronic high-power factor > 94% @ 120V
<b>certifications</b>	ETL/cETL Listed, CEC Title 24 JA8 compliant (only 90 CRI complies), ADA Compliant
<b>standards</b>	UL 1598, CSA C22.2 No. 250.0 - Class II UL8750, CSA C22.2 No. 250.13, IES LM-79 / LM-80
<b>power consumption</b>	41W @ 120 - 277 VAC (Maximum)
<b>dimming</b>	Standard: 0-10V (1%), Optional: ELV (120V only), DMX (Remote Only), DALI (Remote Only)

Due to continuous development and improvements, specifications are subject to change without notice.  
Product use certifies agreement to FC Lighting terms and conditions.



# Ordering Information

## ORDERING INFORMATION

### INTEGRAL DRIVER

FCW3353							
SERIES	VOLTAGE	CCT	CRI	LUMENS	FINISH	OPTIONS	
FCW3353	UNV	120 - 277 VAC	27K 2700K	CRI85 85 CRI	11L 1100 lm (14W)	BKE Black	LD 0-10V Dimming, 1% (Standard)
	120V	120 VAC (PE120 &/or SP20)	3K 3000K	CRI90 90 CRI	17L 1650 lm (21W)	BRE Bronze	TPS Tamper Proof Screws
	277V	277 VAC (PE277 &/or SP20)	35K 3500K		24L 2375 lm (31W)	GRE Graphite Grey	F Fuse Line (1 Fuse with LED Driver)
	347V	347 VAC (347V &/or SP20)	4K 4000K		30L 3000 lm (41W)	SLE Silver	CSM Conduit Surface Mount
		5K 5000K			WHE White	PE120 Photo Eye for 120V	
					CCE Custom Color	PE277 Photo Eye for 277V	
						SP20 20kV Surge Protector (1 SP20 with LED Driver) <sup>1</sup>	

<sup>1</sup> Specify Voltage — 120V, 277V, or 347V.

### REMOTE DRIVER & BATTERY BACKUP

FCW3353R							
SERIES	VOLTAGE	CCT	CRI	LUMENS	FINISH	OPTIONS	
FCW3353R <sup>†</sup>	UNV	120 - 277 VAC	27K 2700K	CRI85 85 CRI	11L 1100 lm (14W)	BKE Black	LD 0-10V Dimming, 1% (Standard)
	120V	120 VAC (SP20 &/or ELV)	3K 3000K	CRI90 90 CRI	17L 1650 lm (21W)	BRE Bronze	ELV ELV Dimming (120V Only)
	277V	277 VAC (SP20)	35K 3500K		24L 2375 lm (31W)	GRE Graphite Grey	DMX DMX Dimming (Remote Only)
			4K 4000K		30L 3000 lm (41W)	SLE Silver	DALI DALI Dimming (Remote Only)
		5K 5000K			WHE White	TPS Tamper Proof Screws	
					CCE Custom Color	F Fuse Line (1 Fuse with LED Driver, 2 Fuses with BBUR & BBUX Options)	
						CSM Conduit Surface Mount	
						BBUR Battery Backup & LED Driver Remote (Indoor), 40W, IP20, IK08, NEMA 1, 0° to 48 °C (32° to 118 °F), 30 FT Maximum Distance with 12AWG (w/ UNV Option Only), 500 Lumens Nominal	
						SP20-BBUR 20kV Surge Protector (1 SP20 with LED Driver, 1 SP20 with BBUR) & Battery Backup, Remote (Indoor) <sup>1</sup>	
						DRR LED Driver Only Remote (Indoor)	
						BBUX Battery Backup & LED Driver Remote (Outdoor), IP67, IK10, NEMA 4X, -20° to 55°C (-4° to 131°F), 30 FT Maximum Distance with 12AWG (w/ UNV Option Only), 600 Lumens Nominal	
						SP20-BBUX 20kV Surge Protector (1 SP20 with LED Driver, 1 SP20 with BBUX) & Battery Backup, Remote (Outdoor) <sup>1</sup>	
						DRX LED Driver Only Remote (Outdoor)	

<sup>†</sup> LED DRIVER REMOTE (INDOOR) IP20, IK08, NEMA 1, -20°C to +50°C, 30' MAX Distance with 12AWG.  
<sup>1</sup> Specify Voltage — 120V or 277V.

### Consult Factory for other options and configurations.

To ensure you receive proper configurations for your lighting specifications, contact us directly about any unique application requirements. This may include but not be limited to lumen output, mounting needs, or electrical requirements.

Due to continuous development and improvements, specifications are subject to change without notice. Product use certifies agreement to FC Lighting terms and conditions.

 US Commercial Lighting Manufacturer Since 1982

Specification Sheet



# Dimensions

PRODUCT DIMENSIONS - STANDARD PRODUCT		MOUNTING - <i>j-box sold by others</i>	
width	10.6" W	mounting plate width	10.34" W
depth	4" D		mounting plate mounts flush to surface, included with luminaire

FRONT VIEW      SIDE VIEW

03.5 inch  
5 inch  
9.5 inch  
10.34 inch

### CONDUIT SURFACE MOUNT (CSM)

Junction Box

11 inch  
9.5 inch  
11 inch  
9.5 inch

TOP VIEW

1.81 inch

SIDE VIEW

Junction Box

3.5 inch  
4 inch  
Ø4 inch  
1.625 inch

TOP VIEW      SECTION A-A  
SIDE VIEW

Due to continuous development and improvements, specifications are subject to change without notice. Product use certifies agreement to FC Lighting terms and conditions.



# Photometry

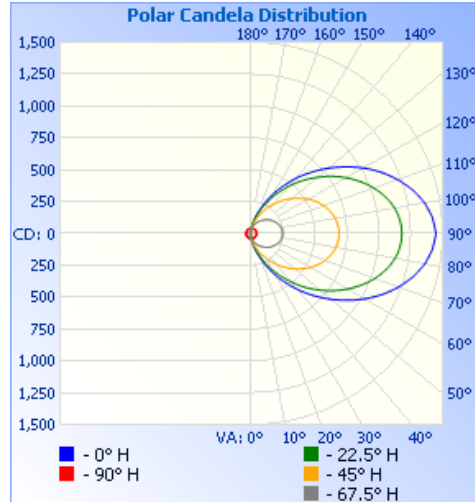
## OPTICAL DISTRIBUTION

<b>lumen output</b>	3000 lm @ 4000K
<b>power consumption</b>	41W

	Illuminance at a Distance	
	Center Beam fc	Beam Width
1.7R	14.1 fc	3.2 ft 3.2 ft
3.3R	3.75 fc	6.2 ft 6.2 ft
5.0R	1.63 fc	9.5 ft 9.4 ft
6.7R	0.91 fc	12.7 ft 12.7 ft
8.3R	0.59 fc	15.7 ft 15.7 ft
10.0R	0.41 fc	18.9 ft 18.9 ft

■ Vert. Spread: 86.8°  
■ Horiz. Spread: 86.7°

iti illuminations testing laboratory :



COLOR	MULTIPLIER
80 CRI - 2700K CCT	0.89
80 CRI - 3000K CCT	0.96
80 CRI - 3500K CCT	0.96
80 CRI - 4000K CCT	1.00
80 CRI - 5000K CCT	1.00
90 CRI - 2700K CCT	0.70
90 CRI - 3000K CCT	0.70
90 CRI - 3500K CCT	0.78
90 CRI - 4000K CCT	0.78
90 CRI - 5000K CCT	0.78

FCW3350

FIND IES FILES ON FCLIGHTING.COM



Due to continuous development and improvements, specifications are subject to change without notice. Product use certifies agreement to FC Lighting terms and conditions.

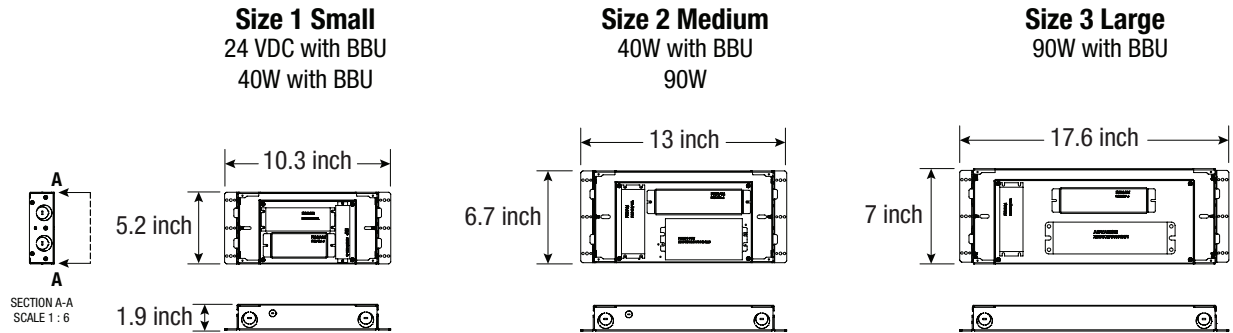
US Commercial Lighting Manufacturer Since 1982

Specification Sheet

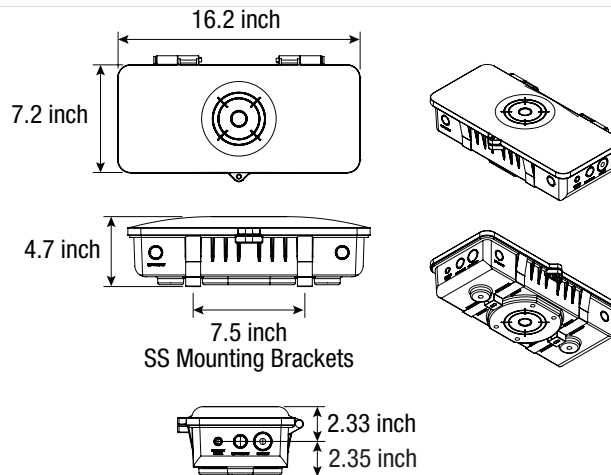


# Battery Backups

**BBUR** — Battery Backup & LED Driver Remote (Indoor), IP20, IK08, NEMA 1, 0 to 48 °C (32 to 118 °F), 30 feet Maximum Distance with 12 AWG (with UNV Option Only)



**BBUX** — Battery Backup & LED Driver Remote (Outdoor), IP67, IK10, NEMA 4X, -20 to 55 °C (-4 to 131 °F), 30 feet Maximum Distance with 12AWG (with UNV Option Only)



Due to continuous development and improvements, specifications are subject to change without notice. Product use certifies agreement to FC Lighting terms and conditions.