

**FCW3360**



<b>Date:</b>		<b>Approved:</b>
<b>Type:</b>		
<b>Luminaire:</b>		
<b>Project:</b>		

**FCW3360** Exterior Decor luminaire is a die-cast aluminum 14-inch square luminaire and is IP65 rated. This ADA compliant, easy to install luminaire has an impact resistant lens that provides ample lighting for a variety of ceiling, wall or surface applications.



**SPECIFICATIONS**

**PHYSICAL**

<b>dimensions</b>	14.17" Square x 4.5" Deep
<b>weight</b>	3.5 lbs
<b>housing</b>	Marine grade, corrosion resistant, heavy gauge high pressure die-cast aluminum; captive stainless steel tamper resistant hex head socket screws
<b>lens</b>	Impact and vandal resistant, UV stabilized, white opal, polycarbonate
<b>mounting</b>	Masonry applications use four (4) 0.25" x 0.75" screws with lead anchors (fasteners not included, j-box by others)
<b>ingress protection</b>	IP65 Rated. Suitable for wet, damp or dry location application, with extruded silicone gasket to seal out contaminants
<b>finish</b>	Available in Black, Bronze, Graphite Grey, Silver, White and Custom Colors. Six stage chemical iron phosphate conversion pre-treatment. Polyester powder coat finish, 18 µm minimum thickness, 5,000 hours salt spray test (ASTM B117) compliant with Florida, AAMA 2604 specification.

**PERFORMANCE**

<b>color temperature</b>	2700K, 3000K, 3500K, 4000K, 5000K
<b>lumen output (@ 4K-CRI85)</b>	1100 lm, 1600 lm, 2550 lm, 3800 lm, 5100 lm
<b>lumen maintenance</b>	L70 > 72,000 hours
<b>color consistency</b>	3 SDCM / Standard: 85 CRI, Optional: 90 CRI
<b>operating temperature</b>	-13°F to 104°F (-25°C to 40°C)
<b>warranty</b>	5-Year limited warranty

**ELECTRICAL**

<b>input voltage</b>	Universal 120 - 277 VAC, Optional: 347 VAC (Integral)
<b>power supply</b>	Integral Class II, electronic high-power factor > 94% @120V
<b>certifications</b>	ETL/cETL Listed, CEC Title 24 JA8 compliant (only 90 CRI complies), ADA Compliant
<b>standards</b>	UL 1598, CSA C22.2 No. 250.0 - Class II UL8750, CSA C22.2 No. 250.13, IES LM-79 / LM-80
<b>power consumption</b>	59W @ 120V - 277V (Maximum)
<b>dimming</b>	Standard: 0-10V (1%), Optional: ELV (120V only), DMX (Integral), DALI (Integral)

Due to continuous development and improvements, specifications are subject to change without notice. FC Lighting reserves the right to change lab test details or specifications without notice. Product use certifies agreement to FC Lighting terms and conditions. FCC Series Cylinder Lights are engineered and produced in our Illinois manufacturing facility.



# Ordering Information

## ORDERING INFORMATION

### INTEGRAL DRIVER

FCW3360							
SERIES	VOLTAGE	CCT	CRI	LUMENS	FINISH	OPTIONS	
FCW3360	UNV	120 - 277 VAC	27K 2700K	CRI85 85 CRI	11L 1100 lm (13W)	BKE Black	LD 0-10V Dimming, 1% (Standard)
	120V	120 VAC (PE120 &/or SP20)	3K 3000K	CRI90 90 CRI	16L 1600 lm (19W)	BRE Bronze	TPS Tamper Proof Screws
	277V	277 VAC (PE277 &/or SP20)	35K 3500K		26L 2550 lm (29W)	GRE Graphite Grey	F Fuse Line (1 Fuse with LED Driver)
	347V	347 VAC (347V &/or SP20)	4K 4000K		38L 3800 lm (45W)	SLE Silver	CSM Conduit Surface Mount
		5K 5000K		51L 5100 lm (59W)	WHE White	PE120 Photo Eye for 120V	
					CCE Custom Color	PE277 Photo Eye for 277V	
						SP20 20kV Surge Protector (1 SP20 with LED Driver) <sup>1</sup>	
						BBU Battery Backup, Integral <sup>2</sup>	

<sup>1</sup> Specify Voltage — 120V, 277V, or 347V.  
<sup>2</sup> Specify Voltage — 120 – 277 VAC Only.

### REMOTE DRIVER & BATTERY BACKUP

FCW3360R							
SERIES	VOLTAGE	CCT	CRI	LUMENS	FINISH	OPTIONS	
FCW3360R <sup>†</sup>	UNV	120 - 277 VAC	27K 2700K	CRI85 85 CRI	11L 1100 lm (13W)	BKE Black	LD 0-10V Dimming, 1% (Standard)
	120V	120 VAC (SP20 &/or ELV)	3K 3000K	CRI90 90 CRI	16L 1600 lm (19W)	BRE Bronze	ELV ELV Dimming (120V Only)
	277V	277 VAC (SP20)	35K 3500K		26L 2550 lm (29W)	GRE Graphite Grey	DMX DMX Dimming (Remote Only)
	347V	347 VAC	4K 4000K		38L 3800 lm (45W)	SLE Silver	DALI DALI Dimming (Remote Only)
		5K 5000K		51L 5100 lm (59W)	WHE White	TPS Tamper Proof Screws	
					CCE Custom Color	F Fuse Line (1 Fuse with LED Driver, 2 Fuses with BBUR & BBUX Options)	
						CSM Conduit Surface Mount	
						BBUR Battery Backup & LED Driver Remote (Indoor), 40W, IP20, IK08, NEMA 1, 0° to 48 °C (32° to 118 °F), 30 FT Maximum Distance with 12AWG (w/ UNV Option Only), 500 Lumens Nominal	
						SP20-BBUR 20kV Surge Protector (1 SP20 with LED Driver, 1 SP20 with BBUR) & Battery Backup, Remote (Indoor) <sup>1</sup>	
						DRR LED Driver Only Remote (Indoor)	
						BBUX Battery Backup & LED Driver Remote (Outdoor), IP67, IK10, NEMA 4X, -20° to 55°C (-4° to 131°F), 30 FT Maximum Distance with 12AWG (w/ UNV Option Only), 600 Lumens Nominal	
						SP20-BBUX 20kV Surge Protector (1 SP20 with LED Driver, 1 SP20 with BBUX) & Battery Backup, Remote (Outdoor) <sup>1</sup>	
						DRX LED Driver Only Remote (Outdoor)	

<sup>†</sup> LED DRIVER REMOTE (INDOOR) IP20, IK08, NEMA 1, -20°C to +50°C, 30' MAX Distance with 12AWG.  
<sup>1</sup> Specify Voltage — 120V or 277V.

### Consult Factory for other options and configurations.

To ensure you receive proper configurations for your lighting specifications, contact us directly about any unique application requirements. This may include but not be limited to lumen output, mounting needs, or electrical requirements.

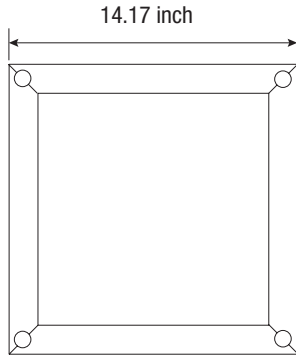
Due to continuous development and improvements, specifications are subject to change without notice. FC Lighting reserves the right to change lab test details or specifications without notice. Product use certifies agreement to FC Lighting terms and conditions. FCC Series Cylinder Lights are engineered and produced in our Illinois manufacturing facility.



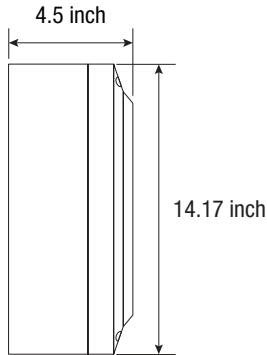
# Dimensions

## PRODUCT DIMENSIONS - STANDARD PRODUCT

width	14.17" W
depth	4.5" D



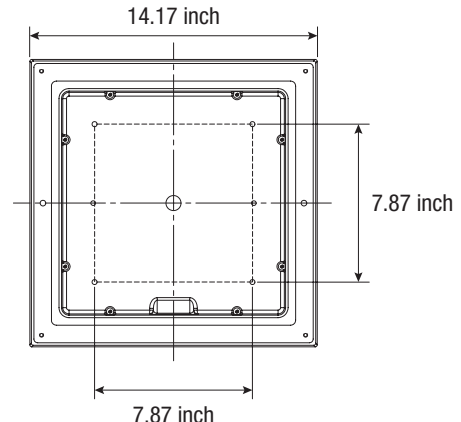
FRONT VIEW



SIDE VIEW

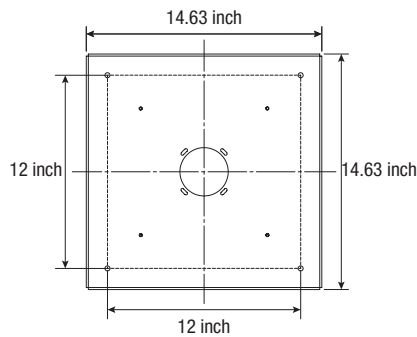
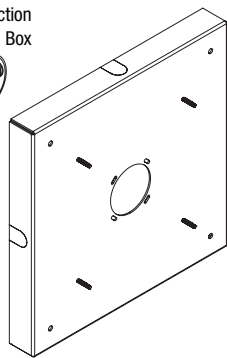
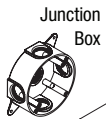
## MOUNTING - j-box sold by others

surface mounting width	14.17" W
------------------------	----------



FRONT VIEW

## CONDUIT SURFACE MOUNT (CSM)

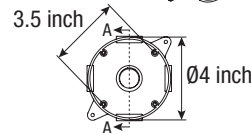


TOP VIEW

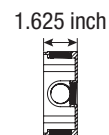


SIDE VIEW

Junction Box



TOP VIEW



SECTION A-A

SIDE VIEW

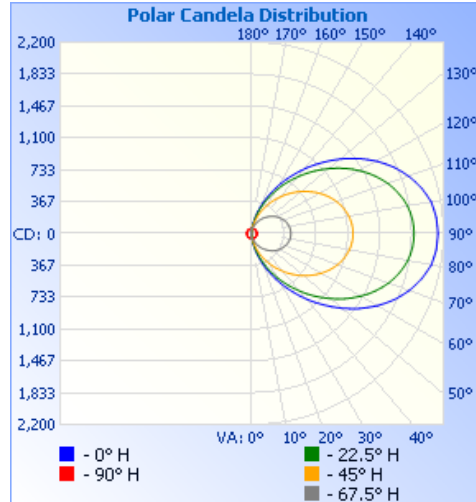
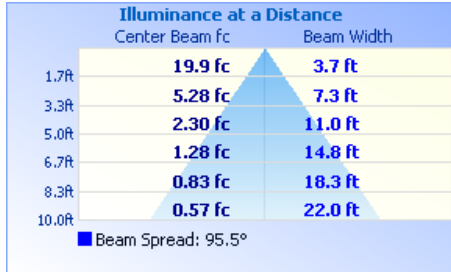
Due to continuous development and improvements, specifications are subject to change without notice. FC Lighting reserves the right to change lab test details or specifications without notice. Product use certifies agreement to FC Lighting terms and conditions. FCC Series Cylinder Lights are engineered and produced in our Illinois manufacturing facility.



# Photometry

## OPTICAL DISTRIBUTION

<b>lumen output</b>	5100 lm @ 4000K
<b>power consumption</b>	59W



COLOR	MULTIPLIER
80 CRI - 2700K CCT	0.89
80 CRI - 3000K CCT	0.96
80 CRI - 3500K CCT	0.96
80 CRI - 4000K CCT	1.00
80 CRI - 5000K CCT	1.00
90 CRI - 2700K CCT	0.70
90 CRI - 3000K CCT	0.70
90 CRI - 3500K CCT	0.78
90 CRI - 4000K CCT	0.78
90 CRI - 5000K CCT	0.78

illuminations testing laboratory :

## FCW3360

FIND IES FILES ON FCLIGHTING.COM



Due to continuous development and improvements, specifications are subject to change without notice. FC Lighting reserves the right to change lab test details or specifications without notice. Product use certifies agreement to FC Lighting terms and conditions. FCC Series Cylinder Lights are engineered and produced in our Illinois manufacturing facility.

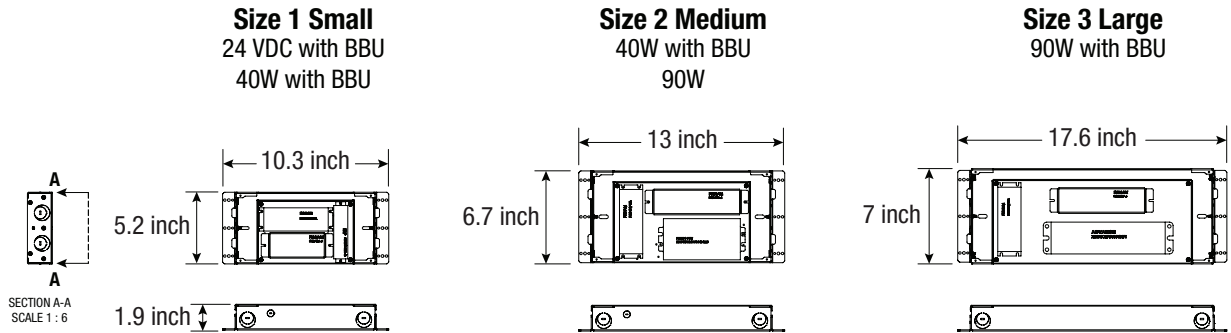
US Commercial Lighting Manufacturer Since 1982

Specification Sheet

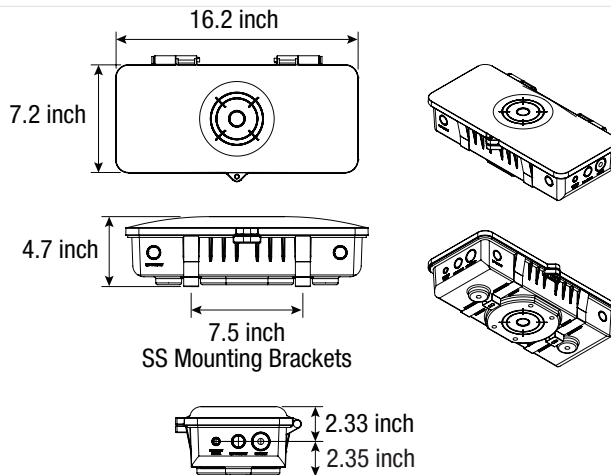


# Battery Backups

**BBUR** — Battery Backup & LED Driver Remote (Indoor), IP20, IK08, NEMA 1, 0 to 48 °C (32 to 118 °F), 30 feet Maximum Distance with 12 AWG (with UNV Option Only)



**BBUX** — Battery Backup & LED Driver Remote (Outdoor), IP67, IK10, NEMA 4X, -20 to 55 °C (-4 to 131 °F), 30 feet Maximum Distance with 12AWG (with UNV Option Only)



Due to continuous development and improvements, specifications are subject to change without notice. FC Lighting reserves the right to change lab test details or specifications without notice. Product use certifies agreement to FC Lighting terms and conditions. FCC Series Cylinder Lights are engineered and produced in our Illinois manufacturing facility.