

**FCW3362**



**FCW3362** Exterior Decor luminaire is a die-cast aluminum 14-inch square luminaire and is IP65 rated. This ADA compliant, easy to install luminaire has an impact resistant lens that provides ample lighting for a variety of ceiling, wall or surface applications.



**SPECIFICATIONS**

**PHYSICAL**

<b>dimensions</b>	14.17" Square x 5.2" Deep
<b>weight</b>	3.5 lbs
<b>housing</b>	Marine grade, corrosion resistant, heavy gauge high pressure die-cast aluminum; captive stainless steel tamper resistant hex head socket screws
<b>lens</b>	Impact and vandal resistant, UV stabilized, white opal, polycarbonate
<b>mounting</b>	Masonry applications use four (4) 0.25" x 0.75" screws with lead anchors (fasteners not included, j-box by others)
<b>ingress protection</b>	IP65 Rated. Suitable for wet, damp or dry location application, with extruded silicone gasket to seal out contaminants
<b>finish</b>	Available in Black, Bronze, Graphite Grey, Silver, White and Custom Colors. Six stage chemical iron phosphate conversion pre-treatment. Polyester powder coat finish, 18 µm minimum thickness, 5,000 hours salt spray test (ASTM B117) compliant with Florida, AAMA 2604 specification.

**PERFORMANCE**

<b>color temperature</b>	2700K, 3000K, 3500K, 4000K, 5000K
<b>lumen output (@ 4K-CRI85)</b>	1150 lm, 1700 lm, 2570 lm, 3400 lm
<b>lumen maintenance</b>	L70 > 72,000 hours
<b>color consistency</b>	3 SDCM / Standard: 85 CRI, Optional: 90 CRI
<b>operating temperature</b>	-40°F to 104°F (-40°C to 40°C)
<b>warranty</b>	5-Year limited warranty

**ELECTRICAL**

<b>input voltage</b>	Universal 120 - 277 VAC, Optional: 347 VAC (Integral)
<b>power supply</b>	Integral Class II, electronic high-power factor > 94% @120V
<b>certifications</b>	ETL/cETL Listed, CEC Title 24 JA8 compliant (only 90 CRI complies), ADA Compliant
<b>standards</b>	UL 1598, CSA C22.2 No. 250.0 - Class II UL8750, CSA C22.2 No. 250.13, IES LM-79 / LM-80
<b>power consumption</b>	59W @ 120 - 277 VAC (Maximum)
<b>dimming</b>	Standard: 0-10V (1%), Optional: ELV (120V only), DMX (Integral), DALI (Integral)

Due to continuous development and improvements, specifications are subject to change without notice. FC Lighting reserves the right to change lab test details or specifications without notice. Product use certifies agreement to FC Lighting terms and conditions. FCC Series Cylinder Lights are engineered and produced in our Illinois manufacturing facility.



# Ordering Information

## ORDERING INFORMATION

### INTEGRAL DRIVER

FCW3362							
SERIES	VOLTAGE	CCT	CRI	LUMENS	FINISH	OPTIONS	
<b>FCW3362</b>	<b>UNV</b> 120 - 277 VAC	<b>27K</b> 2700K	<b>CRI85</b> 85 CRI	<b>12L</b> 1150 lm (20W)	<b>BKE</b> Black	<b>LD</b> 0-10V Dimming, 1% (Standard)	
	<b>120V</b> 120 VAC (PE120 &/or SP20)	<b>3K</b> 3000K	<b>CRI90</b> 90 CRI	<b>17L</b> 1700 lm (30W)	<b>BRE</b> Bronze	<b>TPS</b> Tamper Proof Screws	
	<b>277V</b> 277 VAC (PE277 &/or SP20)	<b>35K</b> 3500K		<b>26L</b> 2570 lm (45W)	<b>GRE</b> Graphite Grey	<b>F</b> Fuse Line (1 Fuse with LED Driver)	
	<b>347V</b> 347 VAC (347V &/or SP20)	<b>4K</b> 4000K		<b>34L</b> 3400 lm (59W)	<b>SLE</b> Silver	<b>CSM</b> Conduit Surface Mount	
		<b>5K</b> 5000K			<b>WHE</b> White	<b>PE120</b> Photo Eye for 120V	
					<b>CCE</b> Custom Color	<b>PE277</b> Photo Eye for 277V	
						<b>SP20</b> 20kV Surge Protector (1 SP20 with LED Driver) <sup>1</sup>	
						<b>BBU</b> Battery Backup, Integral <sup>2</sup>	

<sup>1</sup> Specify Voltage — 120V, 277V, or 347V.  
<sup>2</sup> Specify Voltage — 120 – 277 VAC Only.

### REMOTE DRIVER & BATTERY BACKUP

FCW3362R							
SERIES	VOLTAGE	CCT	CRI	LUMENS	FINISH	OPTIONS	
<b>FCW3362R</b> †	<b>UNV</b> 120 - 277 VAC	<b>27K</b> 2700K	<b>CRI85</b> 85 CRI	<b>12L</b> 1150 lm (20W)	<b>BKE</b> Black	<b>LD</b> 0-10V Dimming, 1% (Standard)	
	<b>120V</b> 120 VAC (SP20 &/or ELV)	<b>3K</b> 3000K	<b>CRI90</b> 90 CRI	<b>17L</b> 1700 lm (30W)	<b>BRE</b> Bronze	<b>ELV</b> ELV Dimming (120V Only)	
	<b>277V</b> 277 VAC (SP20)	<b>35K</b> 3500K		<b>26L</b> 2570 lm (45W)	<b>GRE</b> Graphite Grey	<b>DMX</b> DMX Dimming (Remote Only)	
	<b>347V</b> 347 VAC	<b>4K</b> 4000K		<b>34L</b> 3400 lm (59W)	<b>SLE</b> Silver	<b>DALI</b> DALI Dimming (Remote Only)	
		<b>5K</b> 5000K			<b>WHE</b> White	<b>TPS</b> Tamper Proof Screws	
					<b>CCE</b> Custom Color	<b>F</b> Fuse Line (1 Fuse with LED Driver, 2 Fuses with BBUR & BBUX Options)	
						<b>CSM</b> Conduit Surface Mount	
						<b>BBUR</b> Battery Backup & LED Driver Remote (Indoor), 40W, IP20, IK08, NEMA 1, 0° to 48 °C (32° to 118 °F), 30 FT Maximum Distance with 12AWG (w/ UNV Option Only), 500 Lumens Nominal	
						<b>SP20-BBUR</b> 20kV Surge Protector (1 SP20 with LED Driver, 1 SP20 with BBUR) & Battery Backup, Remote (Indoor) <sup>1</sup>	
						<b>DRR</b> LED Driver Only Remote (Indoor)	
						<b>BBUX</b> Battery Backup & LED Driver Remote (Outdoor), IP67, IK10, NEMA 4X, -20° to 55°C (-4° to 131°F), 30 FT Maximum Distance with 12AWG (w/ UNV Option Only), 600 Lumens Nominal	
						<b>SP20-BBUX</b> 20kV Surge Protector (1 SP20 with LED Driver, 1 SP20 with BBUX) & Battery Backup, Remote (Outdoor) <sup>1</sup>	
						<b>DRX</b> LED Driver Only Remote (Outdoor)	

† LED DRIVER REMOTE (INDOOR) IP20, IK08, NEMA 1, -20°C to +50°C, 30' MAX Distance with 12AWG.  
<sup>1</sup> Specify Voltage — 120V or 277V.

### Consult Factory for other options and configurations.

To ensure you receive proper configurations for your lighting specifications, contact us directly about any unique application requirements. This may include but not be limited to lumen output, mounting needs, or electrical requirements.

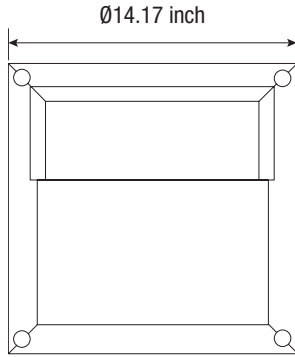
Due to continuous development and improvements, specifications are subject to change without notice. FC Lighting reserves the right to change lab test details or specifications without notice. Product use certifies agreement to FC Lighting terms and conditions. FCC Series Cylinder Lights are engineered and produced in our Illinois manufacturing facility.



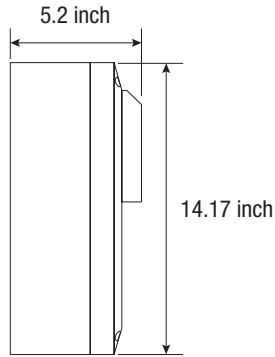
# Dimensions

## PRODUCT DIMENSIONS - STANDARD PRODUCT

width	14.17" W
depth	5.2" D



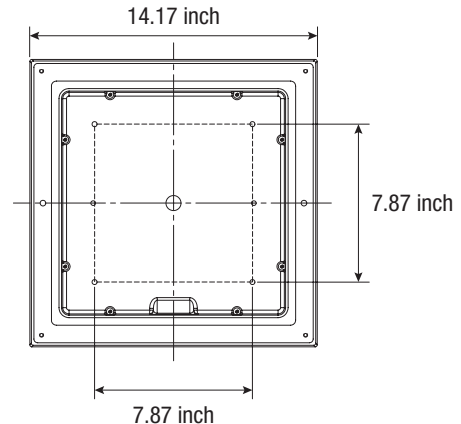
FRONT VIEW



SIDE VIEW

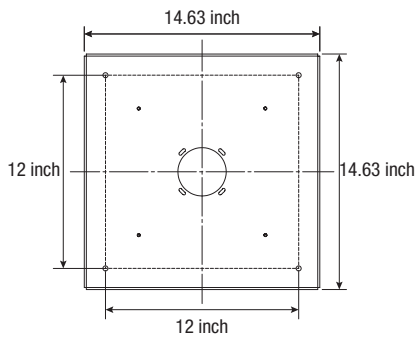
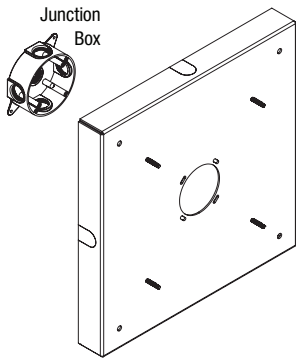
## MOUNTING - j-box sold by others

surface mounting width	14.17" W
------------------------	----------



FRONT VIEW

## CONDUIT SURFACE MOUNT (CSM)

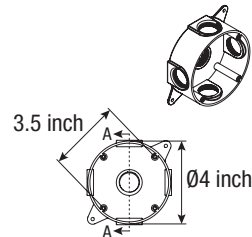


TOP VIEW

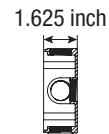


SIDE VIEW

### Junction Box



TOP VIEW



SECTION A-A

SIDE VIEW

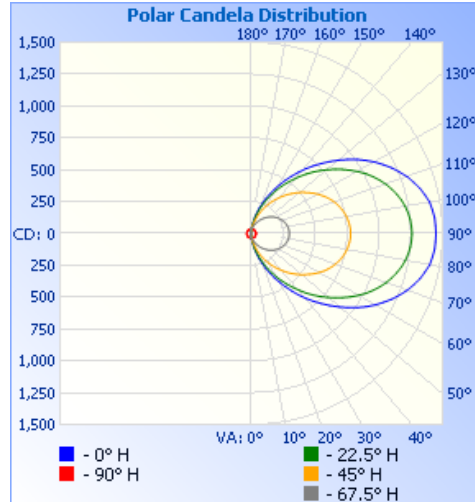
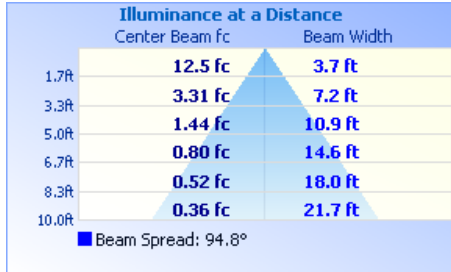
Due to continuous development and improvements, specifications are subject to change without notice. FC Lighting reserves the right to change lab test details or specifications without notice. Product use certifies agreement to FC Lighting terms and conditions. FCC Series Cylinder Lights are engineered and produced in our Illinois manufacturing facility.



# Photometry

## OPTICAL DISTRIBUTION

<b>lumen output</b>	3400 lm @ 4000K
<b>power consumption</b>	59W



COLOR	MULTIPLIER
80 CRI - 2700K CCT	0.89
80 CRI - 3000K CCT	0.96
80 CRI - 3500K CCT	0.96
80 CRI - 4000K CCT	1.00
90 CRI - 2700K CCT	0.70
90 CRI - 3000K CCT	0.70
90 CRI - 3500K CCT	0.78
90 CRI - 4000K CCT	0.78

illuminations testing laboratory :

FCW3362

FIND IES FILES ON FCLIGHTING.COM



Due to continuous development and improvements, specifications are subject to change without notice. FC Lighting reserves the right to change lab test details or specifications without notice. Product use certifies agreement to FC Lighting terms and conditions. FCC Series Cylinder Lights are engineered and produced in our Illinois manufacturing facility.

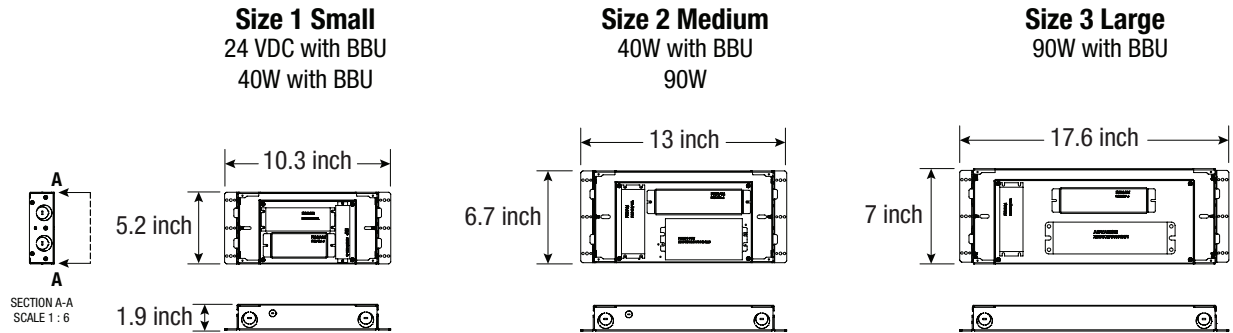
US Commercial Lighting Manufacturer Since 1982

Specification Sheet

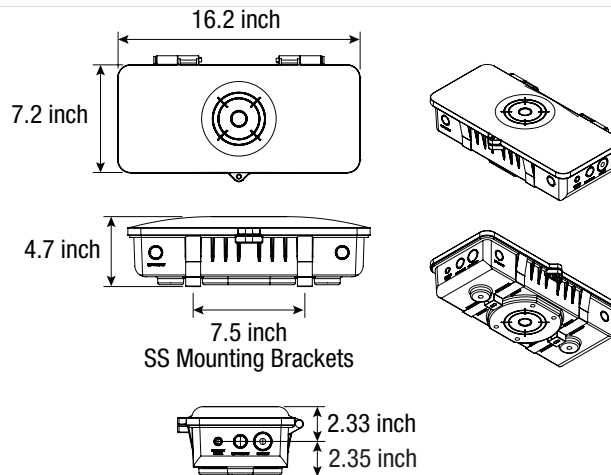


# Battery Backups

**BBUR** — Battery Backup & LED Driver Remote (Indoor), IP20, IK08, NEMA 1, 0 to 48 °C (32 to 118 °F), 30 feet Maximum Distance with 12 AWG (with UNV Option Only)



**BBUX** — Battery Backup & LED Driver Remote (Outdoor), IP67, IK10, NEMA 4X, -20 to 55 °C (-4 to 131 °F), 30 feet Maximum Distance with 12AWG (with UNV Option Only)



Due to continuous development and improvements, specifications are subject to change without notice. FC Lighting reserves the right to change lab test details or specifications without notice. Product use certifies agreement to FC Lighting terms and conditions. FCC Series Cylinder Lights are engineered and produced in our Illinois manufacturing facility.