

FCW3363



Date:	Approved:
Type:	
Luminaire:	
Project:	

FCW3363 Exterior Decor luminaire is a die-cast aluminum 14 inch square luminaire and is IP65 rated. This ADA compliant, easy to install luminaire has an impact resistant lens that provides ample lighting for a variety of ceiling, wall or surface applications.



SPECIFICATIONS

PHYSICAL

dimensions	14.17" Square x 5.7" Deep
weight	3.5 lbs
housing	Marine grade, corrosion resistant, heavy gauge high pressure die-cast aluminum; captive stainless steel tamper resistant hex head socket screws
lens	Impact and vandal resistant, UV stabilized, white opal, polycarbonate
mounting	Masonry applications use four (4) 0.25" x 0.75" screws with lead anchors (fasteners not included, j-box by others)
ingress protection	IP65 Rated. Suitable for wet, damp or dry location application, with extruded silicone gasket to seal out contaminants
finish	Six stage chemical iron phosphate conversion pre-treatment. Polyester powder coat finish, 18 µm minimum thickness, 5,000 hour salt spray test (ASTM B117) compliant with Florida, AAMA 2604 specification.

PERFORMANCE

color temperature	2700K, 3000K, 3500K, 4000K
lumen output	1100 lm, 1600 lm, 2550 lm, 3800 lm, 5100 lm
lifetime	L70 >72,000 hours
color consistency	3 SDCM / standard: 85 CRI, optional: 90 CRI
operating temperature	-13°F to 104°F (-25°C to 40°C)
junction temperature	73°C @ T ^a 25°C
warranty	5-Year limited warranty

ELECTRICAL

input voltage	Universal 120 - 277 VAC, Optional: 347VAC (Integral)
power supply	Integral Class II, electronic high-power factor > 94% @120V
certifications	ETL/cETL Listed, CEC Title 24 JA8 compliant (only 90 CRI complies), ADA Compliant
standards	UL 1598, CSA C22.2 No. 250.0 - Class II UL8750, CSA C22.2 No. 250.13, IES LM-79 / LM-80
power consumption	59W @ 120V - 277V (Maximum)
dimming	Standard: 0-10V (1%), Optional: ELV (120V only), DMX (Integral), DALI (Integral)

Due to continuous development and improvements, specifications are subject to change without notice. FC Lighting reserves the right to change lab test details or specifications without notice. Product use certifies agreement to FC Lighting terms and conditions. FCC Series Cylinder Lights are engineered and produced in our Illinois manufacturing facility.



Ordering Information

ORDERING INFORMATION

SERIES	VOLTAGE	CCT	CRI	LUMENS	FINISH	OPTIONS
FCW3363	UNV UNV 120V-277V	27K 2700K	CRI85 85 CRI (Standard)	11L 1100 lm (14W)	BKE Black (AAMA 2604)	LD 0-10V Dimming, 1% (Standard)
	120V 120 VAC (PE Option)	3K 3000K	CRI90 90 CRI	16L 1600 lm (20W)	BRE Bronze (AAMA 2604)	ELV* ELV Dimming *(120V Only)
	277V 277 VAC (PE Option)	35K 3500K		26L 2550 lm (32W)	GRE Graphite Grey (AAMA 2604)	TPS Tamper Proof Screws
	347V 347V (Integral)	4K 4000K		38L 3800 lm (48W)	SLE Silver (AAMA 2604)	F Fused Line
				51L 5100 lm (59W)	WHE White (AAMA 2604)	CSM Conduit Surface Mount Box
					CCE Custom Color (AAMA 2604)	PE120 Photo Eye for 120 VAC
						PE277 Photo Eye for 277 VAC
						SP20 20kV Surge Protector
						BBU Battery Backup, Integral
						SP20-BBU (2) 20kV Surge Protectors (1/LED Driver, 1/BBU) & Battery Backup

REMOTE DRIVER & BATTERY BACKUP

SERIES	VOLTAGE	CCT	CRI	LUMENS	FINISH	OPTIONS
FCW3363R[†]	UNV UNV 120V-277V	27K 2700K	CRI85 85 CRI (Standard)	11L 1100 lm (14W)	BKE Black (AAMA 2604)	LD 0-10V Dimming, 1% (Standard)
		3K 3000K	CRI90 90 CRI	16L 1600 lm (20W)	BRE Bronze (AAMA 2604)	DMX DMX Dimming (Remote Only)
		35K 3500K		26L 2550 lm (32W)	GRE Graphite Grey (AAMA 2604)	DALI DALI Dimming (Remote Only)
		4K 4000K		38L 3800 lm (48W)	SLE Silver (AAMA 2604)	TPS Tamper Proof Screws
				51L 5100 lm (59W)	WHE White (AAMA 2604)	F Fused Line (For Driver Only)
					CCE Custom Color (AAMA 2604)	CSM Conduit Surface Mount Box
						BBUR¹ Battery Backup Remote (Indoor)
						SP20-BBUR (2) 20kV Surge Protectors (1/LED Driver, 1/BBUR) & Battery Backup, Remote (Indoor)
						BBUX² Battery Backup Remote (Outdoor)
						SP20-BBUX (2) 20kV Surge Protectors (1/LED Driver, 1/BBU) & Battery Backup, Remote (Outdoor)
						N/A Leave Blank for Remote Driver Only (without Battery Backup)

[†] LED DRIVER REMOTE (INDOOR) IP20, IK08, NEMA 1, -20°C to +50°C, 30' MAX Distance with 12AWG.
 *Consult factory for outdoor remote driver only.

¹ Battery Back-up & LED Driver Remote (INDOOR), IP20, IK08, NEMA 1, 0°C to +48°C, 30' MAX Distance with 12AWG (w/UNV Option Only)

² Battery Back-up & LED Driver Remote (OUTDOOR), IP67, IK10, NEMA 4X, -20°C to +55°C, 30' MAX Distance with 12AWG (w/UNV Option Only)

Consult Factory for other options and configurations.

To ensure you receive proper configurations for your lighting specifications, contact us directly about any unique application requirements. This may include but not be limited to lumen output, mounting needs, or electrical requirements.

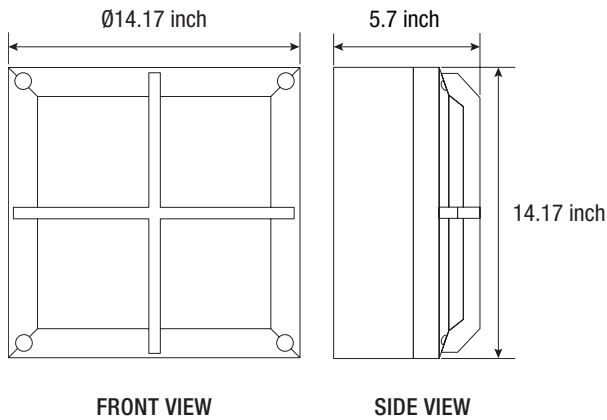
Due to continuous development and improvements, specifications are subject to change without notice. FC Lighting reserves the right to change lab test details or specifications without notice. Product use certifies agreement to FC Lighting terms and conditions. FCC Series Cylinder Lights are engineered and produced in our Illinois manufacturing facility.



Dimensions

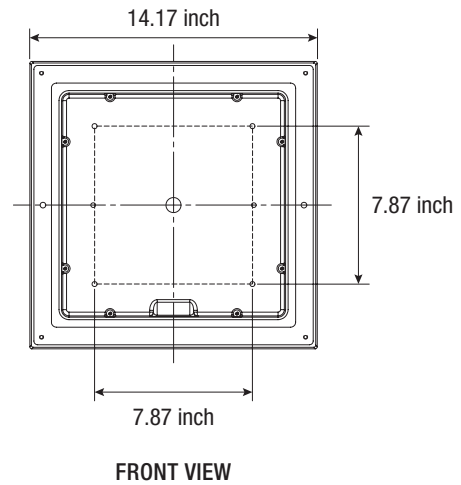
PRODUCT DIMENSIONS - STANDARD PRODUCT

width	14.17" W
depth	5.7" D

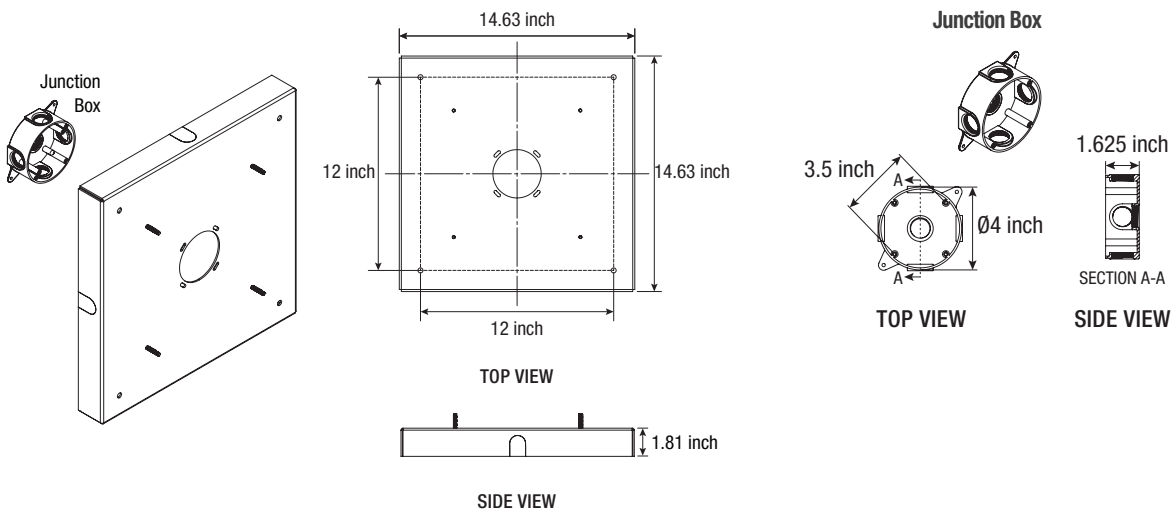


MOUNTING - j-box sold by others

surface mounting width	14.17" W
------------------------	----------



CONDUIT SURFACE MOUNT (CSM)



Due to continuous development and improvements, specifications are subject to change without notice. FC Lighting reserves the right to change lab test details or specifications without notice. Product use certifies agreement to FC Lighting terms and conditions. FCC Series Cylinder Lights are engineered and produced in our Illinois manufacturing facility.



Photometry

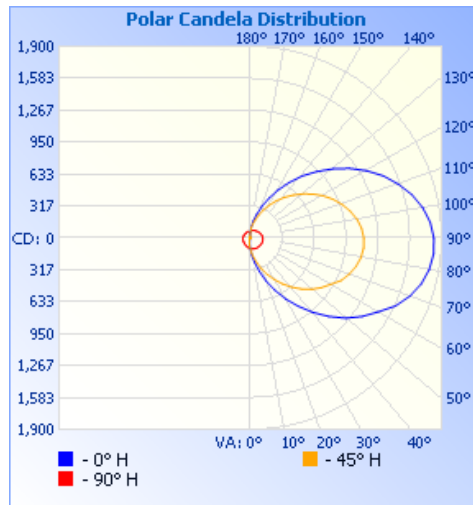
OPTICAL DISTRIBUTION

lumen output	5100 lm @ 4000K
power consumption	59W

	Illuminance at a Distance	
	Center Beam fc	Beam Width
1.7R	36.2 fc	3.9 ft 4.0 ft
3.3R	9.62 fc	7.5 ft 7.7 ft
5.0R	4.19 fc	11.4 ft 11.7 ft
6.7R	2.33 fc	15.3 ft 15.7 ft
8.3R	1.52 fc	19.0 ft 19.4 ft
10.0R	1.05 fc	22.8 ft 23.4 ft

■ Vert. Spread: 97.6°
■ Horiz. Spread: 99.0°

iti illuminations testing laboratory :



FCW3363

FIND IES FILES ON FCLIGHTING.COM

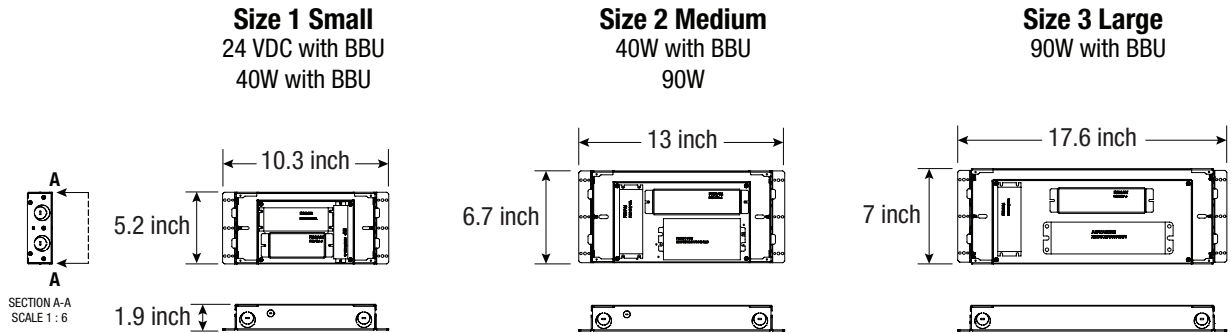


Due to continuous development and improvements, specifications are subject to change without notice. FC Lighting reserves the right to change lab test details or specifications without notice. Product use certifies agreement to FC Lighting terms and conditions. FCC Series Cylinder Lights are engineered and produced in our Illinois manufacturing facility.

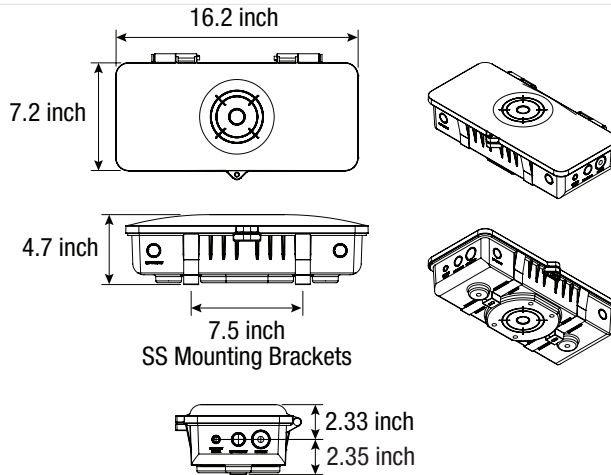


Battery Backups

BBUR — Battery Backup & LED Driver Remote (Indoor), IP20, IK08, NEMA 1, 0 to 48 °C (32 to 118 °F), 30 feet Maximum Distance with 12 AWG (with UNV Option Only)



BBUX — Battery Backup & LED Driver Remote (Outdoor), IP67, IK10, NEMA 4X, -20 to 55 °C (-4 to 131 °F), 30 feet Maximum Distance with 12AWG (with UNV Option Only)



Due to continuous development and improvements, specifications are subject to change without notice. FC Lighting reserves the right to change lab test details or specifications without notice. Product use certifies agreement to FC Lighting terms and conditions. FCC Series Cylinder Lights are engineered and produced in our Illinois manufacturing facility.