

FCW3701



Date:	Approved:
Type:	
Luminaire:	
Project:	

FCW3701 Exterior Decor luminaire is an 10-inch square, IP66 rated, ADA compliant, easy to install luminaire with an impact and vandal resistant lens to meet the design requirements of your building. The FCW3700 can be ceiling, wall or surface mounted.



SPECIFICATIONS

PHYSICAL

dimensions	10.6" Sq. x 2.1" D
weight	3.5 lbs
housing	Marine grade, corrosion resistant, heavy gauge high pressure die-cast aluminum
lens	Impact and vandal resistant, UV stabilized, white polycarbonate. IK10 Rating.
mounting	Ceiling, wall or surface mount applications: mounting holes allow unit to be attached directly to octagonal junction box or to surface
ingress protection	IP66 Rated. Suitable for wet, damp or dry location application, with extruded silicone gasket to seal out contaminants
finish	Available in Black, Bronze, Graphite Grey, Silver, White and Custom Colors. Six stage chemical iron phosphate conversion pre-treatment. Polyester powder coat finish, 18 µm minimum thickness, 5,000 hours salt spray test (ASTM B117) compliant with Florida, AAMA 2604 specification.

PERFORMANCE

color temperature	2700K, 3000K, 3500K, 4000K
lumen output	500 lm, 1000 lm, 1500 lm
lumen maintenance	L70 > 70,000 hours
color consistency	3 SDCM / Standard: 85 CRI
operating temperature	-4°F to 122°F (-20°C to 50°C)
warranty	5-Year limited warranty

ELECTRICAL

input voltage	Universal 120 - 277 VAC, Optional: 347 VAC (remote only)
power supply	Integral, class II, electronic high power factor > 94% @ 120V
certification	ETL/cETL Listed, CE, NOM, ADA Compliant
power consumption	14W @ 120 - 277 VAC
dimming	Standard: Tri-Dim (UNV Only), 0-10V to 1% @ 120 - 277 VAC, TRIAC/EVL to 1% @ 120 VAC Only, Optional: 347 VAC (0.10V to 1%, Remote Driver)

Due to continuous development and improvements, specifications are subject to change without notice. FC Lighting reserves the right to change lab test details or specifications without notice. Product use certifies agreement to FC Lighting terms and conditions. FCC Series Cylinder Lights are engineered and produced in our Illinois manufacturing facility.



Ordering Information

ORDERING INFORMATION

SERIES	VOLTAGE	CCT	CRI	LUMENS	FINISH	OPTIONS	BATTERY BACKUP
FCW3701	UNV ¹ 120 - 277 VAC	27K 2700K	CRI85 85 CRI	05L 500 lm @ 6W	BKE Black	F ³ Fused Line (For Driver Only)	BBUR ⁵ Battery Backup Remote (Indoor)
	347V ² 347 VAC (Remote)	3K 3000K		10L 1000 lm @ 10W	BRE Bronze	SP20 ⁴ 20kV Surge Protector	BBUX ⁶ Battery Backup Remote (Outdoor)
		35K 3500K		15L 1500 lm @ 14W	GRE Graphite Grey		DRR ⁵ LED Driver Only Remote (Indoor)
		4K 4000K			SLE Silver		DRX ⁶ LED Driver Only Remote (Outdoor)
					WHE White		
					CCE Custom Color		

¹ Tri-Dim (UNV Only); 0-10V to 1% at 120-277 VAC; TRIAC/ELV to 1% at 120 VAC only

² (0-10V to 1%, remote driver)

³ 1 Fuse with LED Driver, 2 Fuses w/ BBUR & BBUX Options

⁴ 1 SP20 with LED Driver, 2 SP20 w/ BBUR & BBUX Options

⁵ Battery Back-up & LED Driver Remote (Indoor), IP20, IK08, NEMA 1, 0° to 48°C (32° to 118°F), 30 FT Maximum Distance with 12AWG (with UNV Option Only), 500 Lumens Nominal (with UNV Option Only)

⁶ Battery Back-up & LED Driver Remote (Outdoor), IP67, IK10, NEMA 4X, -20 to 55°C (-4 to 131°F), 30 FT Maximum Distance with 12AWG (with UNV Option Only), 600 Lumens Nominal

Due to continuous development and improvements, specifications are subject to change without notice. FC Lighting reserves the right to change lab test details or specifications without notice. Product use certifies agreement to FC Lighting terms and conditions. FCC Series Cylinder Lights are engineered and produced in our Illinois manufacturing facility.

Dimensions

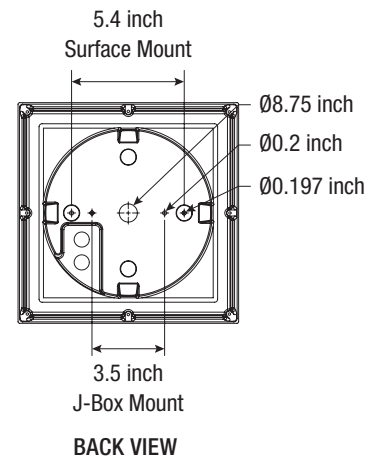
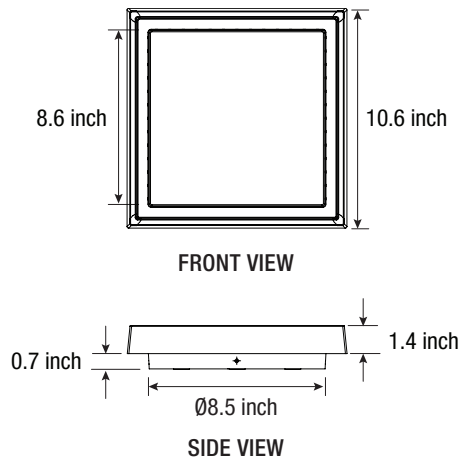


PRODUCT DIMENSIONS - STANDARD PRODUCT | **MOUNTING - j-box sold by others**

height & width	10.6"
depth	2.1" D

surface mount width	5.4" W
j-box mount width	3.5" W

mounting holes:
attach directly to
octagonal junction
box or surface



Due to continuous development and improvements, specifications are subject to change without notice. FC Lighting reserves the right to change lab test details or specifications without notice. Product use certifies agreement to FC Lighting terms and conditions. FCC Series Cylinder Lights are engineered and produced in our Illinois manufacturing facility.



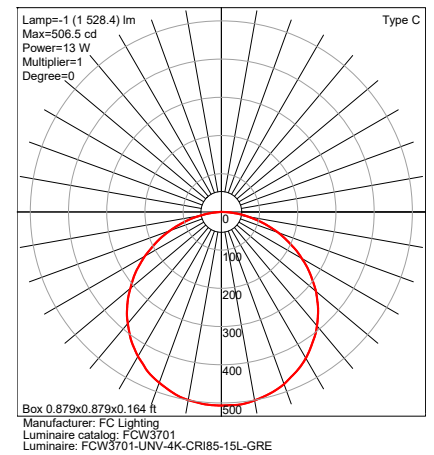
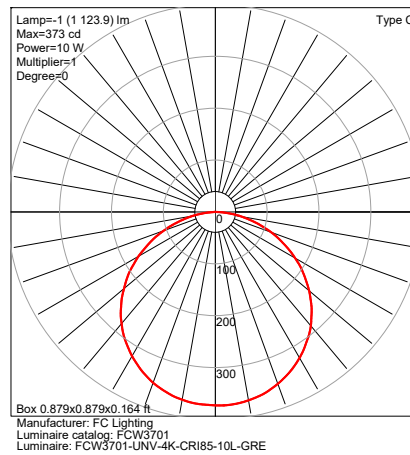
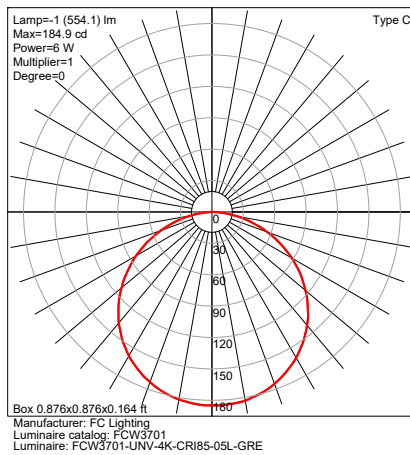
Photometry

LUMENS

Model	Watts	3K	4K
FCW3701	6W	500 lm	500 lm
FCW3701	10W	1000 lm	1000 lm
FCW3701	14W	1500 lm	1500 lm

CCT Multiplier (CRI85)	
CCT	Multiplier
2700K	0.91
3000K	0.94
3500K	0.96
4000K	1

PHOTOMETRICS

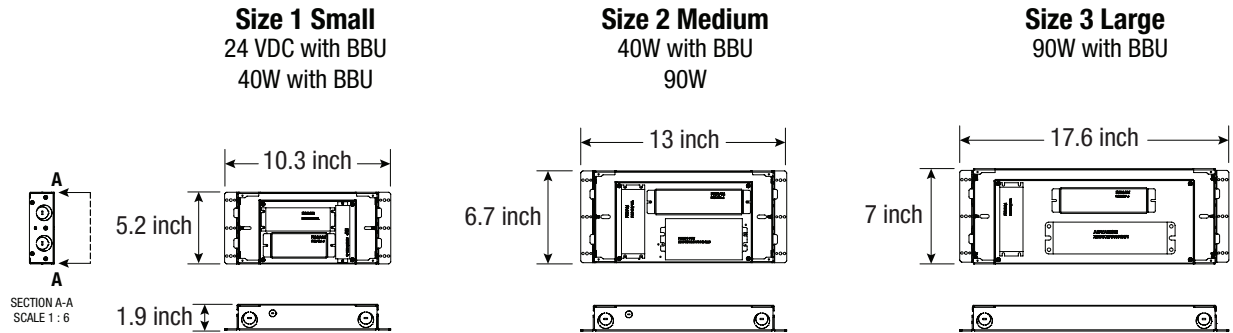


Due to continuous development and improvements, specifications are subject to change without notice. FC Lighting reserves the right to change lab test details or specifications without notice. Product use certifies agreement to FC Lighting terms and conditions. FCC Series Cylinder Lights are engineered and produced in our Illinois manufacturing facility.

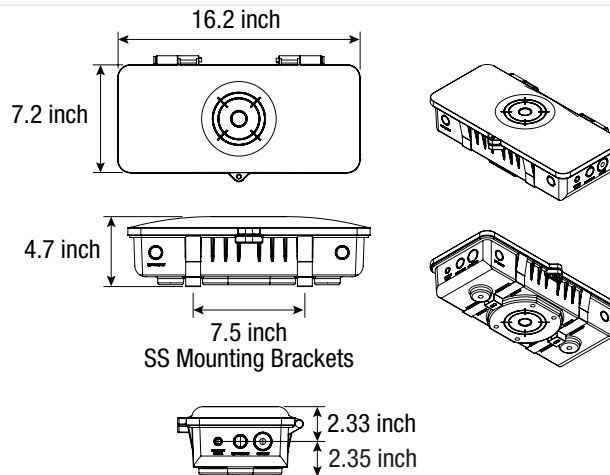


Battery Backups

BBUR — Battery Backup & LED Driver Remote (Indoor), IP20, IK08, NEMA 1, 0 to 48 °C (32 to 118 °F), 30 feet Maximum Distance with 12 AWG (with UNV Option Only)



BBUX — Battery Backup & LED Driver Remote (Outdoor), IP67, IK10, NEMA 4X, -20 to 55 °C (-4 to 131 °F), 30 feet Maximum Distance with 12AWG (with UNV Option Only)



Due to continuous development and improvements, specifications are subject to change without notice. FC Lighting reserves the right to change lab test details or specifications without notice. Product use certifies agreement to FC Lighting terms and conditions. FCC Series Cylinder Lights are engineered and produced in our Illinois manufacturing facility.