

FCW3801



Date:

Approved:

Type:

Luminaire:

Project:

FCW3801 Exterior Decor luminaire is an 13 inch square, IP66 rated, ADA compliant, easy to install luminaire with an impact and vandal resistant lens to meet the design requirements of your building. The FCW3700 can be ceiling, wall or surface mounted.



SPECIFICATIONS

PHYSICAL

dimensions	13.3" Sq. x 2.1" D
weight	4 lbs
housing	Marine grade, corrosion resistant, heavy gauge high pressure die-cast aluminum
lens	Impact and vandal resistant, UV stabilized, white polycarbonate. IK10 Rating.
mounting	Ceiling, wall or surface mount applications: mounting holes allow unit to be attached directly to octagonal junction box or to surface
ingress protection	IP66 Rated. Suitable for wet, damp or dry location application, with extruded silicone gasket to seal out contaminants
finish	Available in Black, Bronze, Graphite Grey, Silver, White and Custom Colors. Six stage chemical iron phosphate conversion pre-treatment. Polyester powder coat finish, 18 µm minimum thickness, 5,000 hours salt spray test (ASTM B117) compliant with Florida, AAMA 2604 specification.

PERFORMANCE

color temperature	3000K, 3500K, 4000K
lumen output	1486 lm, 2113 lm, 2772 lm
lumen maintenance	L70 > 70,000 hours
color consistency	3 SDCM / Standard: 85 CRI
operating temperature	-4°F to 122°F (-20°C to 50°C)
warranty	5-Year limited warranty

ELECTRICAL

input voltage	Universal 120 - 277 VAC, Optional: 347 VAC (remote only)
power supply	Integral, class II, electronic high power factor > 94% @ 120V
certification	ETL/cETL Listed, CE, NOM, ADA Compliant
power consumption	32W @ 120 - 277 VAC
dimming	Standard: Tri-Dim (UNV Only), 0-10V to 1% @ 120 - 277 VAC, TRIAC/EVL to 1% @ 120 VAC Only, Optional: 347 VAC (0.10V to 1%, Remote Driver)

Due to continuous development and improvements, specifications are subject to change without notice. FC Lighting reserves the right to change lab test details or specifications without notice. Product use certifies agreement to FC Lighting terms and conditions. FCC Series Cylinder Lights are engineered and produced in our Illinois manufacturing facility.



Ordering Information

ORDERING INFORMATION

SERIES	VOLTAGE	CCT	CRI	LUMENS	FINISH	OPTIONS	BATTERY BACKUP	
FCW3801	UNV ¹	120 - 277 VAC	3K 3000K	CRI85 85 CRI	15L 1486 lm @15W	BKE Black	F ³ Fused Line (For Driver Only)	BBUR ⁵ Battery Backup Remote (Indoor)
	347V ²	347 VAC (Remote)	35K 3500K		21L 2113 lm @ 22W	BRE Bronze	SP20 ⁴ 20kV Surge Protector	BBUX ⁶ Battery Backup Remote (Outdoor)
			4K 4000K		28L 2772 lm @ 32W	GRE Graphite Grey		
						SLE Silver		
					WHE White		DRR ⁵ LED Driver Only Remote (Indoor)	
					CCE Custom Color		DRX ⁶ LED Driver Only Remote (Outdoor)	

¹ Tri-Dim (UNV Only); 0-10V to 1% at 120-277 VAC; TRIAC/ELV to 1% at 120 VAC only

² (0-10V to 1%, remote driver)

³ 1 Fuse with LED Driver, 2 Fuses w/ BBUR & BBUX Options

⁴ 1 SP20 with LED Driver, 2 SP20 w/ BBUR & BBUX Options

⁵ Battery Back-up & LED Driver Remote (Indoor), IP20, IK08, NEMA 1, 0° to 48°C (32° to 118°F), 30 FT Maximum Distance with 12AWG (with UNV Option Only), 500 Lumens Nominal (with UNV Option Only)

⁶ Battery Back-up & LED Driver Remote (Outdoor), IP67, IK10, NEMA 4X, -20 to 55°C (-4 to 131°F), 30 FT Maximum Distance with 12AWG (with UNV Option Only), 600 Lumens Nominal

Due to continuous development and improvements, specifications are subject to change without notice. FC Lighting reserves the right to change lab test details or specifications without notice. Product use certifies agreement to FC Lighting terms and conditions. FCC Series Cylinder Lights are engineered and produced in our Illinois manufacturing facility.



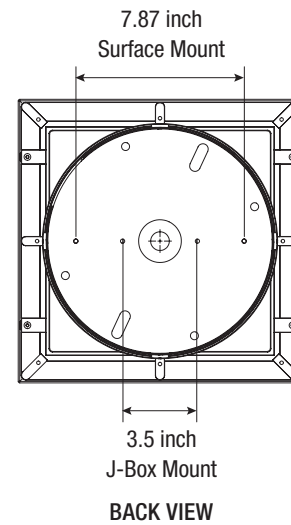
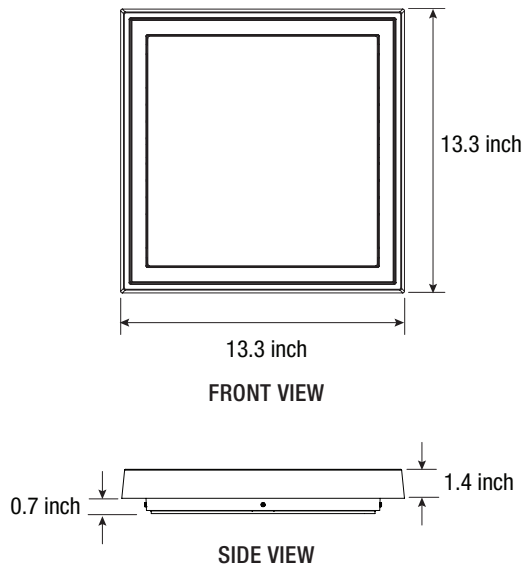
Dimensions

PRODUCT DIMENSIONS - STANDARD PRODUCT | **MOUNTING - j-box sold by others**

height & width	13.3"
depth	2.1" D

surface mount width	7.87" W
j-box mount width	3.5" W

mounting holes:
attach directly to
octagonal junction
box or surface



Due to continuous development and improvements, specifications are subject to change without notice. FC Lighting reserves the right to change lab test details or specifications without notice. Product use certifies agreement to FC Lighting terms and conditions. FCC Series Cylinder Lights are engineered and produced in our Illinois manufacturing facility.



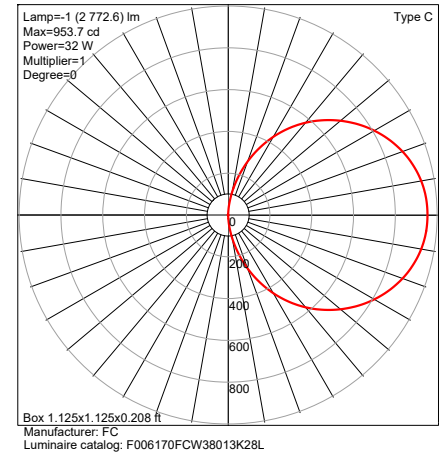
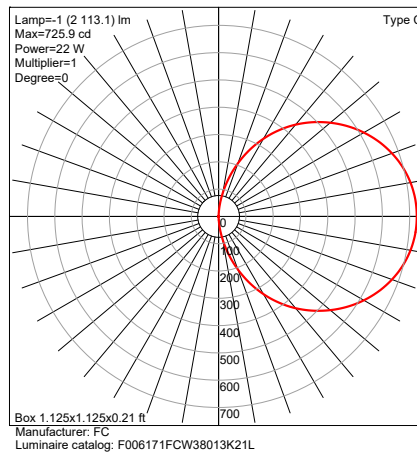
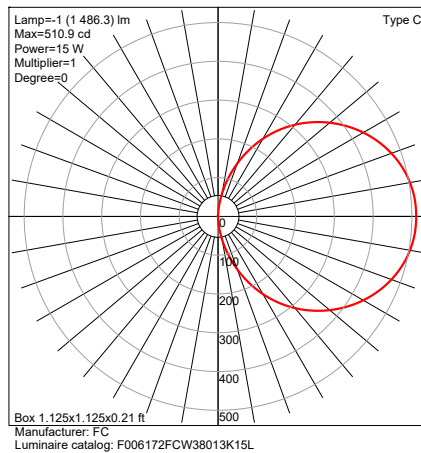
Photometry

LUMENS

Model	Watts	3K	4K
FCW3800	15W	1486 lm	1486 lm
FCW3800	22W	2113 lm	2113 lm
FCW3800	32W	2772 lm	2772 lm

CCT Multiplier (CRI85)	
CCT	Multiplier
3000K	1.00
3500K	1.02
4000K	1.06

PHOTOMETRICS



Due to continuous development and improvements, specifications are subject to change without notice. FC Lighting reserves the right to change lab test details or specifications without notice. Product use certifies agreement to FC Lighting terms and conditions. FCC Series Cylinder Lights are engineered and produced in our Illinois manufacturing facility.