

**Date:** \_\_\_\_\_  
**Type:** \_\_\_\_\_  
**Fixture:** \_\_\_\_\_  
**Project:** \_\_\_\_\_

**Approved:**

**FCW8050**



**FCW8050** Exterior Decor fixture is a 12 inch round, IP65 rated, ADA compliant, easy to install fixture that has an impact resistant lens and output options to meet the design requirements of your building. This round face fixture in the FC Lighting Exterior Decor line can be ceiling, wall or surface mounted.



**SPECIFICATIONS**

**PHYSICAL**

<b>dimensions</b>	12" Ø x 4" D
<b>weight</b>	4 lbs
<b>housing</b>	Marine grade, corrosion resistant, heavy gauge high pressure die-cast aluminum; captive stainless steel tamper resistant hex head socket screws
<b>lens</b>	Impact and vandal resistant, UV stabilized, white polycarbonate
<b>mounting</b>	Ceiling, wall or surface mount applications: mounting holes allow unit to be attached directly to octagonal junction box
<b>ingress protection</b>	IP65 Rated. Suitable for wet, damp or dry location application, with extruded silicone gasket to seal out contaminants
<b>finish</b>	Six stage chemical iron phosphate conversion pre-treatment. Polyester powder coat finish, 18 µm Min., 5000hr salt spray test (ASTM B117) compliant with Florida / AAMA 2604 specification.

**PERFORMANCE**

<b>color temperature</b>	2700K	3000K	3500K	4000K
<b>lumen output</b>	1200 lm	1600 lm	2400 lm	3200 lm
<b>lifetime</b>	> 70,000 hours / L70 or better			
<b>color consistency</b>	3 SDCM / standard: 85 CRI   optional: 90 CRI			
<b>operating temperature</b>	-13°F to 104°F (-25°C to 40°C)			
<b>junction temperature</b>	73°C @ T <sup>a</sup> 25°C			
<b>warranty</b>	5-Year limited warranty (refer to website for details)			

**ELECTRICAL**

<b>input voltage</b>	Universal 120 - 277 VAC   <b>Optional:</b> 347 VAC (Integral)
<b>power supply</b>	Integral Class II, electronic high-power factor > 94% @120V
<b>certifications</b>	ETL/cETL Listed, CEC Title 24 JA8 compliant (only 90CRI complies), ADA Compliant
<b>standards</b>	UL 1598 / CSA C22.2 No. 250.0; UL 8750 / CSA C22.2 No. 250.13 / IES LM-79 / LM-80
<b>power consumption</b>	36W @ 3200 Lm, 120V - 277V (maximum)   13.5W @ 1200 Lm, 120V - 277V (minimum)
<b>dimming</b>	<b>Standard:</b> 0-10V (1%)   <b>Optional:</b> ELV (120V only) / DMX (remote only) / DALI (remote only)

Due to continuous development and improvements, specifications are subject to change without notice. FC Lighting reserves the right to change lab test details or specifications without notice. Product use certifies agreement to FC Lighting terms and conditions. FCC Series Cylinder Lights are engineered and produced in our Illinois manufacturing facility.

# FCW8050



## Ordering Information

### ORDERING INFORMATION

FCW8050										
SERIES	VOLTAGE	CCT	CRI	LUMENS	FINISH	OPTIONS				
<b>FCW8050</b>	<b>UNV</b>	UNV 120 - 277 VAC	<b>27K</b> 2700K	<b>CRI85</b> 85 CRI (Standard)	<b>12L</b> 1200 lm (13.5W)	<b>BKE</b> Black	<b>LD</b> 0-10V Dimming, 1%			
	<b>347</b>	347 VAC (Integral)	<b>3K</b> 3000K	<b>CRI90</b> 90 CRI	<b>16L</b> 1600 lm (15W)	<b>BRE</b> Bronze	<b>ELV</b> ELV Dimming (120V Only)			
			<b>35K</b> 3500K		<b>24L</b> 2400 lm (27W)	<b>GRE</b> Graphite Grey	<b>DMX</b> DMX Dimming (Remote Only)			
			<b>4K</b> 4000K		<b>32L</b> 3200 lm (36W)	<b>SLE</b> Silver	<b>DALI</b> DALI Dimming (Remote Only)			
					<b>WHE</b> White					
					<b>CCE</b> Custom Color					

### REMOTE DRIVER & BATTERY BACKUP

FCW8050R	UNV								
SERIES	VOLTAGE	CCT	CRI	LUMENS	FINISH	OPTIONS			
<b>FCW8050R<sup>†</sup></b>	<b>UNV</b>	UNV 120 - 277 VAC	<b>27K</b> 2700K	<b>CRI85</b> 85 CRI (Standard)	<b>12L</b> 1200 lm (13.5W)	<b>BKE</b> Black	<b>LD</b> 0-10V Dimming, 1%		
			<b>3K</b> 3000K	<b>CRI90</b> 90 CRI	<b>16L</b> 1600 lm (15W)	<b>BRE</b> Bronze	<b>ELV</b> ELV Dimming (120V Only)		
			<b>35K</b> 3500K		<b>24L</b> 2400 lm (27W)	<b>GRE</b> Graphite Grey	<b>DMX</b> DMX Dimming (Remote Only)		
			<b>4K</b> 4000K		<b>32L</b> 3200 lm (36W)	<b>SLE</b> Silver	<b>DALI</b> DALI Dimming (Remote Only)		
					<b>WHE</b> White	<b>BBUR<sup>1</sup></b> Battery Backup Remote (Indoor)			
					<b>CCE</b> Custom Color	<b>BBUX<sup>2</sup></b> Battery Backup Remote (Outdoor)			
						<b>N/A</b> Leave Blank for Remote Driver Only (without Battery Backup)			

<sup>†</sup> LED DRIVER REMOTE (INDOOR) IP20, IK08, NEMA 1, -20°C to +50°C, 30' MAX Distance with 12AWG.

\*Consult factory for outdoor remote driver only.

<sup>1</sup> Battery Back-up & LED Driver Remote (INDOOR), IP20, IK08, NEMA 1, 0°C to +48°C, 30' MAX Distance with 12AWG (w/UNV Option Only)

<sup>2</sup> Battery Back-up & LED Driver Remote (OUTDOOR), IP67, IK10, NEMA 4X, -20°C to +55°C, 30' MAX Distance with 12AWG (w/UNV Option Only)

Due to continuous development and improvements, specifications are subject to change without notice. FC Lighting reserves the right to change lab test details or specifications without notice. Product use certifies agreement to FC Lighting terms and conditions. FCC Series Cylinder Lights are engineered and produced in our Illinois manufacturing facility.

# Dimensions

FCW8050



PRODUCT DIMENSIONS - STANDARD PRODUCT		MOUNTING - <i>j-box sold by others</i>	
width	12" Ø	mounting plate diameter	12" Ø
depth	4" D		

12 in

4 in

12 in

2.75" Ø      3.5" Ø

12 inch mounting plate:  
mounts flush to surface,  
included with fixture. Lens  
and face fasten directly to  
the plate

3.5" or 2.75" mounting diameter

Due to continuous development and improvements, specifications are subject to change without notice. FC Lighting reserves the right to change lab test details or specifications without notice. Product use certifies agreement to FC Lighting terms and conditions. FCC Series Cylinder Lights are engineered and produced in our Illinois manufacturing facility.

US Commercial Lighting Manufacturer Since 1982

**Specification Sheet**

# Photometry

## FCW8050

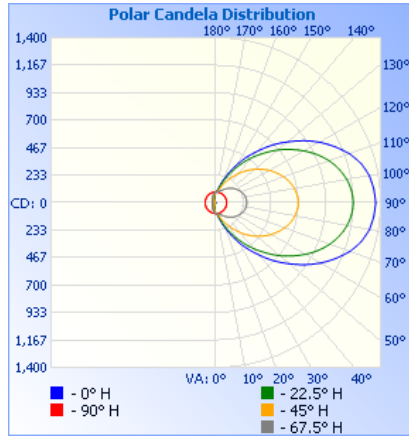


### OPTICAL DISTRIBUTION

<b>lumen output</b>	3320 Lm @ 4000K
<b>power consumption</b>	36W

	Illuminance at a Distance	
	Center Beam fc	Beam Width
1.7R	31.6 fc	3.5 ft 3.5 ft
3.3R	8.38 fc	6.8 ft 6.8 ft
5.0R	3.65 fc	10.3 ft 10.3 ft
6.7R	2.03 fc	13.8 ft 13.8 ft
8.3R	1.33 fc	17.1 ft 17.1 ft
10.0R	0.91 fc	20.6 ft 20.6 ft

■ Vert. Spread: 91.7°  
■ Horiz. Spread: 91.7°

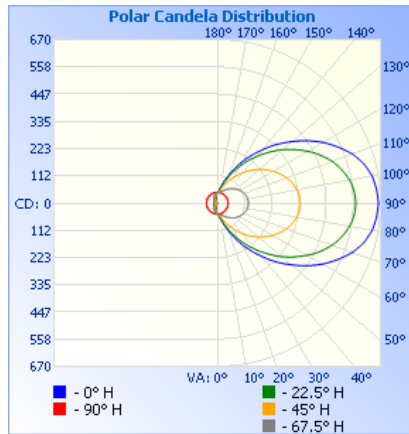


illuminations testing laboratory: Report #1308

<b>lumen output</b>	1617 Lm @ 4000K
<b>power consumption</b>	15W

	Illuminance at a Distance	
	Center Beam fc	Beam Width
1.7R	15.4 fc	3.5 ft 3.5 ft
3.3R	4.08 fc	6.8 ft 6.8 ft
5.0R	1.78 fc	10.3 ft 10.3 ft
6.7R	0.99 fc	13.8 ft 13.8 ft
8.3R	0.65 fc	17.1 ft 17.1 ft
10.0R	0.44 fc	20.6 ft 20.6 ft

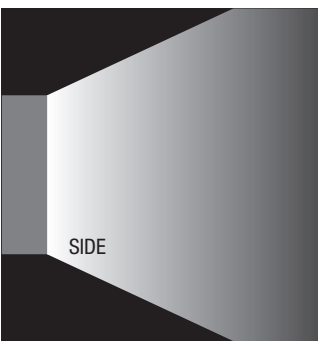
■ Vert. Spread: 91.7°  
■ Horiz. Spread: 91.7°



illuminations testing laboratory: Report #1308-L

FCW8050

FIND IES FILES ON FCLIGHTING.COM



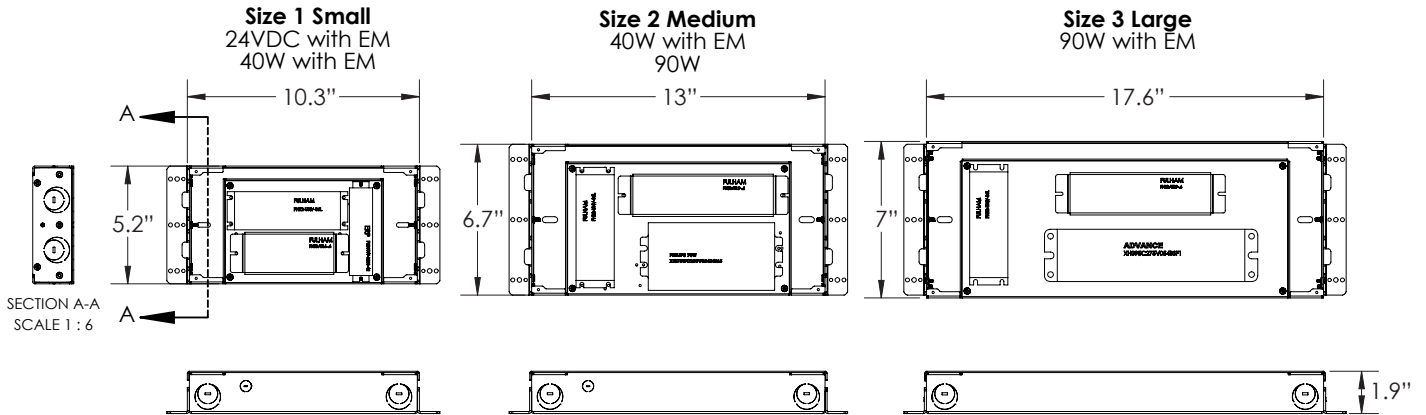
Due to continuous development and improvements, specifications are subject to change without notice. FC Lighting reserves the right to change lab test details or specifications without notice. Product use certifies agreement to FC Lighting terms and conditions. FCC Series Cylinder Lights are engineered and produced in our Illinois manufacturing facility.

US Commercial Lighting Manufacturer Since 1982

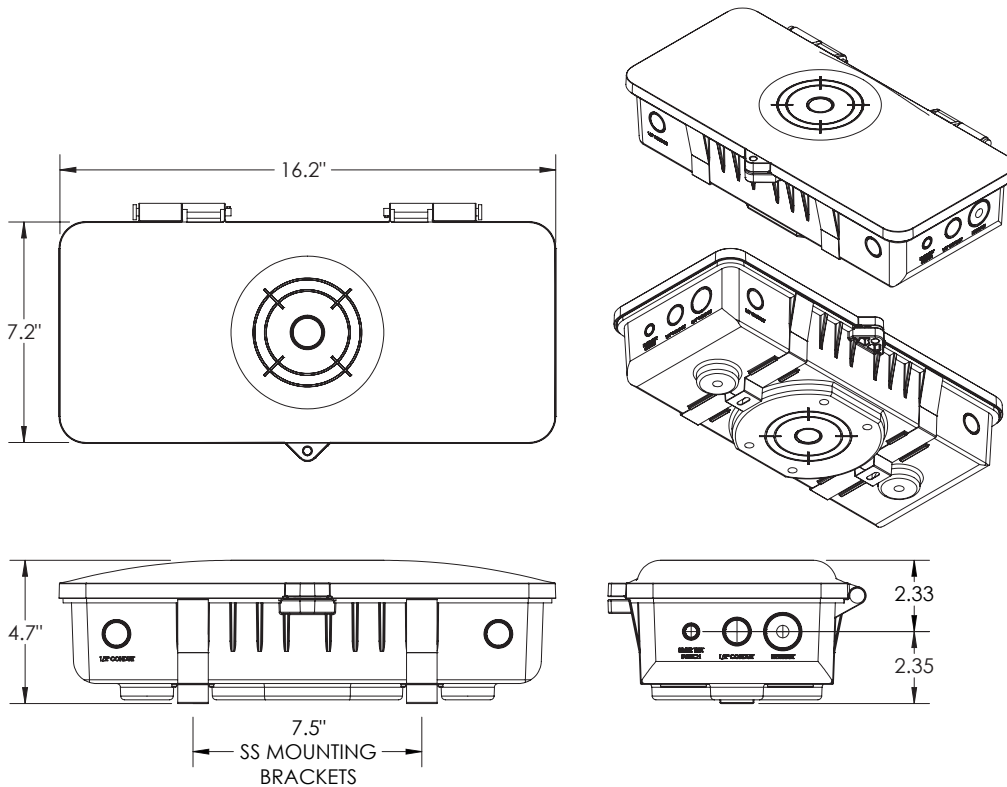
Specification Sheet

**BATTERY BACK-UPS**

**BBUR - BATTERY BACK-UP & LED DRIVER REMOTE (INDOOR), IP20, IK08, NEMA 1, 0°C to +48°C, 30' MAX Distance with 12AWG (w/UNV Option Only)**



**BBUX - BATTERY BACK-UP & LED DRIVER REMOTE (OUTDOOR), IP67, IK10, NEMA 4X, -20°C to +55°C, 30' MAX Distance with 12AWG (w/UNV Option Only)**



Due to continuous development and improvements, specifications are subject to change without notice. FC Lighting reserves the right to change lab test details or specifications without notice. Product use certifies agreement to FC Lighting terms and conditions. FCC Series Cylinder Lights are engineered and produced in our Illinois manufacturing facility.