

FCW8050 - INSTALLATION INSTRUCTIONS

CAUTION: BEFORE CONNECTING THE FIXTURE TO A POWER SUPPLY, MAKE SURE THE POWER IS SWITCHED OFF.



corporate
t 800.900.1730
f 630.889.8106
3609 Swenson Ave.
St. Charles, IL 60174

DETAILED ILLUSTRATION

GENERAL:

1. Before starting the installation, disconnect the power by turning off the circuit breaker or by removing the fuse at the fuse box. Turning the power off at the light switch is not sufficient to prevent electrical shock.
2. To ensure the success of the installation, be sure to read these instructions and review the diagrams thoroughly before beginning.
3. All electrical connections must be in accordance with local codes, ordinances, or the National Electrical Code.

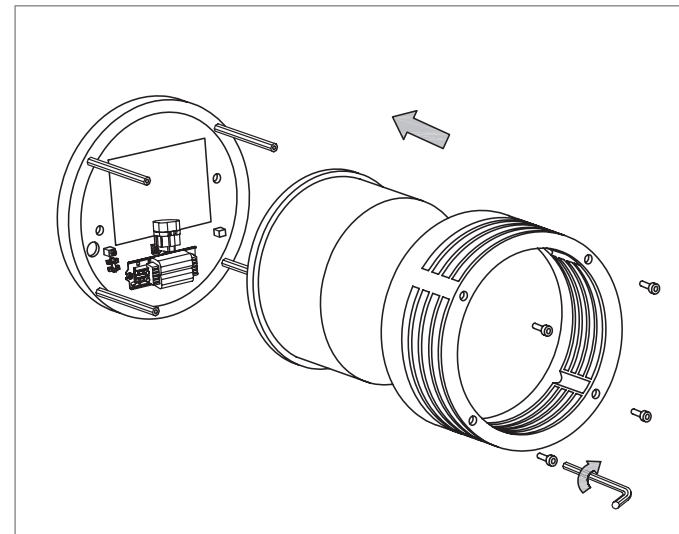
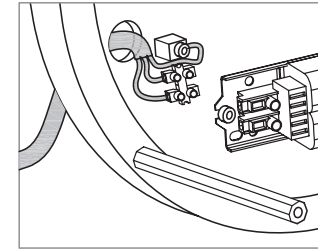
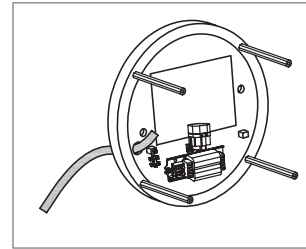
NOTE: The important safeguards and instructions appearing in this manual are not meant to cover all possible conditions and situations that may occur.

INSTALLATION:

- 1) Unit wall plate is supplied with stand-offs and screws for mounting both reflector and fixture face assemblies in place. Mount wall plate to wall, bring power supply wires through provided holes.
- 2) Remove screws in the two stand-offs inside the gasket ring on wall plate. Line up holes for screws (near sockets) with stand-offs and tighten into place with screws removed.
- 3) Make power supply connections through provided holes.

NOTE: The following step applies *only* if the EMR (Emergency Backup) option was ordered. While holding the lens and fixture face assembly near mounted wall plate, remove the nuts from both the emergency backup test switch and light one at a time. Mounting each through holes provided in lens and replace nuts to respective items and tighten in place.

- 4) Remove the screws from the four outer stand-offs and place face assembly over the wall plate and reflector assembly. Make certain all wires are tucked inside the housing gently and not being pinched by the fixture face. Align holes in the fixture face with stand-offs and tighten evenly in to place with screws.
- 5) Installer must add a bead of silicone where edge of Fixture meets the Mounting Surface to avoid water seepage.



CONFIDENTIAL

THIS DOCUMENT IS THE PROPRIETARY PROPERTY OF FC LIGHTING, INC. ANY UNAUTHORIZED TRANSFER, USE OR REPRODUCTION IS STRICTLY PROHIBITED.

©2012 FC LIGHTING, INC.