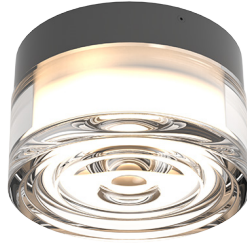


AUREA Luminaire (FCWA)



Date: _____

Type: _____

Luminaire: _____

Project: _____

Approved:

AUREA is a modular and decorative outdoor wall luminaire, which are crafted with a blend of elegance and durability. Designed to enhance the allure of your building's facade. Timeless design casts a soft, inviting glow, transforming your evenings into a canvas of comfort and charm.



SPECIFICATIONS

PHYSICAL

length/dimension	Luminaire: Wave 5.12" L x 3.19" H, Convex / Reseau 5.12" L x 3.03" H
housing	Main housing is constructed with high strength, heavy walled polycarbonate with UV protection (UL 746C Rated F1) and flame rated (UL94 5VA). Trim rings made of high purity aluminum with a specialized finish.
lens	Glass
mounting	Ceiling, Wall
ingress protection	IP65 Rated for dry, damp or wet locations
finish	Trim rings made of high purity aluminum with a specialized finish.

PERFORMANCE

source	LED (mid power)
LED color	2200K, 2700K, 3000K, all 90 CRI+ (Field Settable)
lumen output	Up to 454 lm, dependant on lens type (see IES files for details)
beam spread	120°
lumen maintenance	L70 > 70,000 hours
operating temperature	-4°F to 122°F (-20°C to 50°C)
warranty	5-Year limited warranty

ELECTRICAL

input voltage	UNV 120 - 277 VAC
power consumption	5W
power supply	Integral or Remote Class II, electronic high-power factor 99% @ 24 VDC
certification	ETL
standards	UL1598 / CSA C22.2 No. 250.0 - Class I / IES LM-79 / LM-80



Ordering Information

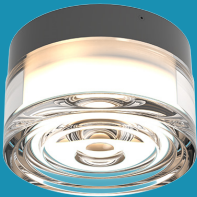
ORDERING INFORMATION

FCWA				UNV		922/927/930		05W						ET	
SERIES		MOUNTING		VOLTAGE		COLOR		POWER nominal		GLASS color/type		TRIM RING FINISH		DIMMING	
FCWA	AUREA	SF	Surface	UNV	120 - 277 VAC	922/927/930	93 CRI, 2200K 93 CRI, 2700K 93 CRI, 3000K Field Setable	*05W	5 Watts	CWV	Clear Wave	WHE	White	ET	ELV or TRIAC Dimming
										CCX	Clear Convex	BKE	Black		
										CRE	Clear Reseau	GLD	Gold		
										GWV	Gray Wave	NIC	Matte Nickel		
										GCV	Gray Convex	CHR	Chrome		
										GRE	Gray Reseau	BRE	Bronze		
										AWV	Amber Wave				
										ACX	Amber Convex				
										ARE	Amber Reseau				

***Note:** Up to 454 lm, dependant on lens type (see IES files for details).
Note: Consult factory for custom Color, Glass and Trim Ring finish requests.

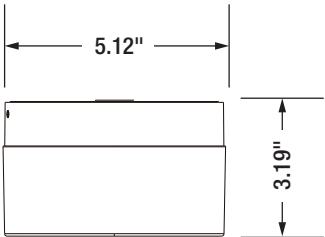
The AUREA is customizable for any décor with multiple glass lens and trim ring options



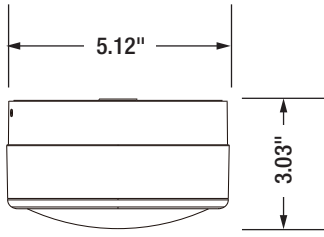


Dimensions

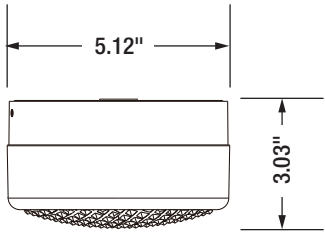
height	Wave 3.19" H, Convex / Reseau 3.03" H
length	5.12" L



Wave

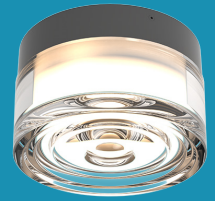


Convex



Reseau

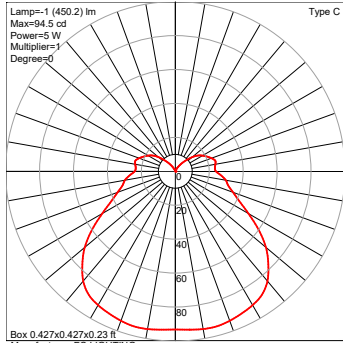
Due to continuous development and improvements, specifications are subject to change without notice.
Product use certifies agreement to FC Lighting, Inc. terms and conditions.



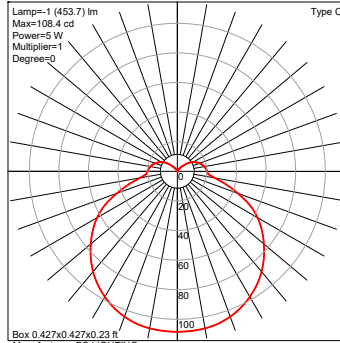
Photometry

OPTICAL DISTRIBUTION

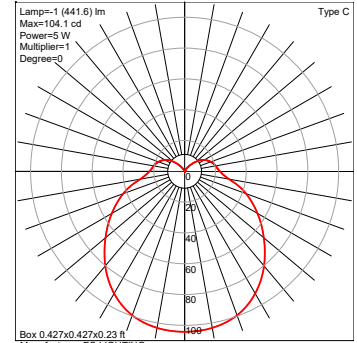
Wave Lens



Convex Lens



Reseau Lens



IES MATRIX

TEST	MODEL	COLOR	LENS SHAPE	LENS COLOR	LUMENS	WATTAGE	LPW	VERT. BEAM ANGLE	HORIZ. BEAM ANGLE
00214-922	FCWA-SF-UNV-922-05W-ACX-XXE-ET	922 (2200K, 90CRI)	CONVEX	AMBER	269	5.3	51	129	129
00212-922	FCWA-SF-UNV-922-05W-CX-XXE-ET	922 (2200K, 90CRI)	CONVEX	CLEAR	308	5.4	57	130	130
00213-922	FCWA-SF-UNV-922-05W-GCX-XXE-ET	922 (2200K, 90CRI)	CONVEX	GRAY	171	5.3	32	119	120
00214-927	FCWA-SF-UNV-927-05W-ACX-XXE-ET	927 (2700K, 90CRI)	CONVEX	AMBER	391	5.3	74	129	129
00212-927	FCWA-SF-UNV-927-05W-CX-XXE-ET	927 (2700K, 90CRI)	CONVEX	CLEAR	449	5.4	83	130	130
00213-927	FCWA-SF-UNV-927-05W-GCX-XXE-ET	927 (2700K, 90CRI)	CONVEX	GRAY	248	5.3	47	119	120
00214	FCWA-SF-UNV-930-05W-ACX-XXE-ET	930 (3000K, 90CRI)	CONVEX	AMBER	395	5.3	75	129	129
00212	FCWA-SF-UNV-930-05W-CX-XXE-ET	930 (3000K, 90CRI)	CONVEX	CLEAR	454	5.4	84	130	130
00213	FCWA-SF-UNV-930-05W-GCX-XXE-ET	930 (3000K, 90CRI)	CONVEX	GRAY	251	5.3	47	119	120
00208-ARE	FCWA-SF-UNV-922-05W-ARE-XXE-ET	922 (2200K, 90CRI)	RESEAU	AMBER	260	5.4	48	123	123
00208	FCWA-SF-UNV-922-05W-CRE-XXE-ET	922 (2200K, 90CRI)	RESEAU	CLEAR	299	5.4	55	123	123
00208-GDI	FCWA-SF-UNV-922-05W-GRE-XXE-ET	922 (2200K, 90CRI)	RESEAU	GRAY	164	5.4	30	123	123
00209-ARE	FCWA-SF-UNV-927-05W-ARE-XXE-ET	927 (2700K, 90CRI)	RESEAU	AMBER	382	5.4	71	124	124
00209	FCWA-SF-UNV-927-05W-CRE-XXE-ET	927 (2700K, 90CRI)	RESEAU	CLEAR	439	5.4	81	124	124
00209-GDI	FCWA-SF-UNV-927-05W-GRE-XXE-ET	927 (2700K, 90CRI)	RESEAU	GRAY	241	5.4	45	124	124
00210-ARE	FCWA-SF-UNV-930-05W-ARE-XXE-ET	930 (3000K, 90CRI)	RESEAU	AMBER	384	5.4	71	124	124
00210	FCWA-SF-UNV-930-05W-CRE-XXE-ET	930 (3000K, 90CRI)	RESEAU	CLEAR	441	5.4	82	124	124
00210-GDI	FCWA-SF-UNV-930-05W-GREXXE-ET	930 (3000K, 90CRI)	RESEAU	GRAY	243	5.4	45	124	124
00211-AWV-922	FCWA-SF-UNV-922-05W-AWV-XXE-ET	922 (2200K, 90CRI)	WAVE	AMBER	266	5.3	50	121	123
00211-922	FCWA-SF-UNV-922-05W-CWV-XXE-ET	922 (2200K, 90CRI)	WAVE	CLEAR	306	5.3	58	121	123
00211-GWV-922	FCWA-SF-UNV-922-05W-GWV-XXE-ET	922 (2200K, 90CRI)	WAVE	GRAY	168	5.3	32	121	123
00211-AWV-927	FCWA-SF-UNV-927-05W-AWV-XXE-ET	927 (2700K, 90CRI)	WAVE	AMBER	388	5.3	73	121	123
00211-927	FCWA-SF-UNV-927-05W-CWV-XXE-ET	927 (2700K, 90CRI)	WAVE	CLEAR	445	5.3	84	121	123
00211-GWV-927	FCWA-SF-UNV-927-05W-GWV-XXE-ET	927 (2700K, 90CRI)	WAVE	GRAY	245	5.3	46	121	123
00211-AWV	FCWA-SF-UNV-930-05W-AWV-XXE-ET	930 (3000K, 90CRI)	WAVE	AMBER	391	5.3	74	121	123
00211	FCWA-SF-UNV-930-05W-CWV-XXE-ET	930 (3000K, 90CRI)	WAVE	CLEAR	450	5.3	85	121	123
00211-GWV	FCWA-SF-UNV-930-05W-GWV-XXE-ET	930 (3000K, 90CRI)	WAVE	GRAY	248	5.3	47	121	123

Due to continuous development and improvements, specifications are subject to change without notice.

Product use certifies agreement to FC Lighting, Inc. terms and conditions.

© FC Lighting, Inc. 3609 Swenson Ave • St. Charles, IL • 60174 | fclighting.com | 800.900.1730



US Commercial Lighting Manufacturer Since 1982

JC-DM-010826