

FCWS7168



Date:	Approved:
Type:	
Fixture:	
Project:	

FCWS7168 Exterior Decor fixture is an IP65 rated, ADA compliant, easy to maintain fixture that has an impact resistant lens and face options to meet the design requirements of your building.



SPECIFICATIONS

PHYSICAL

dimensions	18.5" H x 7.25" W x 4" D
weight	7.5 lbs
housing	Marine grade, corrosion resistant, heavy gauge high pressure die cast aluminum
lens	Impact resistant, UV stabilized, opal, polycarbonate diffuser
mounting	Mounts directly to standard junction box; masonry applications use four (4) 0.25" x 0.75" screws with lead anchors (fasteners not included, j-box by others)
ingress protection	IP65: dry, damp, or wet locations with PVC closed cell foam gasket to seal out contaminants
finish	Six stage chemical iron phosphate conversion pre-treatment. Polyester powder coat finish, 18 µm Min., 5000hr salt spray test (ASTM B117) compliant with Florida / AAMA 2604 specification.

PERFORMANCE

color temperature	2700K	3000K	3500K	4000K	
lumen output	1200 lm	1800 lm	2500 lm	4000 lm	6200 lm
lifetime	> 70,000 hours / L70 or better				
color consistency	3 SDCM / standard: 85 CRI optional: 90 CRI				
operatoing temperature	-13°F to 104°F (-25°C to 40°C)				
junction temperature	73°C @ T ^a 25°C				
warranty	5-Year limited warranty (refer to website for details)				

ELECTRICAL

input voltage	Universal 120 - 277 VAC optional: 347 VAC (Integral)
power supply	Integral Class II, electronic, high power factor > 94% @ 120V
certifications	ETL/cETL Listed, CEC Title 24 JA8 compliant (only 90CRI complies), ADA Compliant
standards	UL 1598 / CSA C22.2 No. 250.0 - Class II / IES LM-79 / LM-80
power consumption	70W @ 120V - 277V (maximum)
dimming	Standard: 0-10V (1%) Optional: ELV (120V only) / DMX (Remote Only) / DALI (Remote Only)

Due to continuous development and improvements, specifications are subject to change without notice. FC Lighting reserves the right to change lab test details or specifications without notice. Product use certifies agreement to FC Lighting terms and conditions. FCC Series Cylinder Lights are engineered and produced in our Illinois manufacturing facility.



Ordering Information

ORDERING INFORMATION

FCWS7168												
SERIES	VOLTAGE		CCT		CRI		LUMENS		FINISH		OPTIONS	
FCWS7168	UNV	UNV 120 - 277 VAC	27K	2700K	CRI85	85 CRI	12L	1200 lm (14W)	BA	Brushed Aluminum	LD	0-10V Dimming, 1%
	120V	120 VAC	3K	3000K	CRI90	90 CRI	18L	1800 lm (20W)	BKE	Black	ELV	ELV Dimming (120V Only)
	347V	347 VAC (Integral)	35K	2700K			25L	2500 lm (28W)	BRE	Bronze		
			4K	4000K			40L	4000 lm (45W)	GRE	Graphite Grey		
							62L	6200 lm (70W)	SLE	Silver		
								WHE	White			
									CCE	Custom Color		

REMOTE DRIVER & BATTERY BACKUP

FCWS7168R												
SERIES	VOLTAGE		CCT		CRI		LUMENS		FINISH		OPTIONS	
FCWS7168R [†]	UNV	UNV 120 - 277 VAC	27K	2700K	CRI85	85 CRI	12L	1200 lm (14W)	BA	Brushed Aluminum	LD	0-10V Dimming, 1%
			3K	3000K	CRI90	90 CRI	18L	1800 lm (20W)	BKE	Black	DMX	DMX Dimming (Remote Only)
			35K	2700K			25L	2500 lm (28W)	BRE	Bronze	DALI	DALI Dimming (Remote Only)
			4K	4000K			40L	4000 lm (45W)	GRE	Graphite Grey	BBUR [‡]	Battery Backup Remote (Indoor)
							62L	6200 lm (70W)	SLE	Silver	BBUX [‡]	Battery Backup Remote (Outdoor)
									WHE	White	N/A	Leave Blank for Remote Driver Only (without Battery Backup)
									CCE	Custom Color		

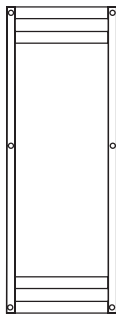
[†] LED DRIVER REMOTE (INDOOR) IP20, IK08, NEMA 1, -20°C to +50°C, 30' MAX Distance with 12AWG.

* Consult factory for outdoor remote driver only.

[‡] Battery Back-up & LED Driver Remote (INDOOR), IP20, IK08, NEMA 1, 0°C to +48°C, 30' MAX Distance with 12AWG (w/UNV Option Only)

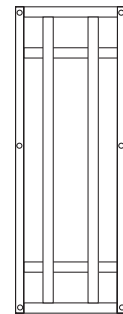
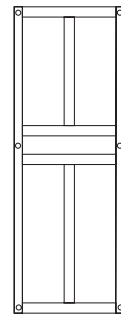
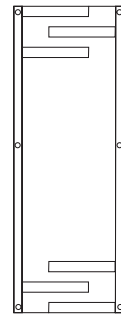
[‡] Battery Back-up & LED Driver Remote (OUTDOOR), IP67, IK10, NEMA 4X, -20°C to +55°C, 30' MAX Distance with 12AWG (w/UNV Option Only)

STANDARD FACE INCLUDED



- A Face A (see dimensions next page)
- B Face B (see dimensions next page)
- D Face D (see dimensions next page)

OPTIONAL FACES



A

B

D

Consult Factory for other options and configurations.

To ensure you receive proper configurations for your lighting specifications, contact us directly about any unique application requirements. This may include but not be limited to lumen output, mounting needs, or electrical components.

Due to continuous development and improvements, specifications are subject to change without notice. FC Lighting reserves the right to change lab test details or specifications without notice. Product use certifies agreement to FC Lighting terms and conditions. FCC Series Cylinder Lights are engineered and produced in our Illinois manufacturing facility.

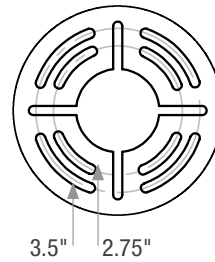
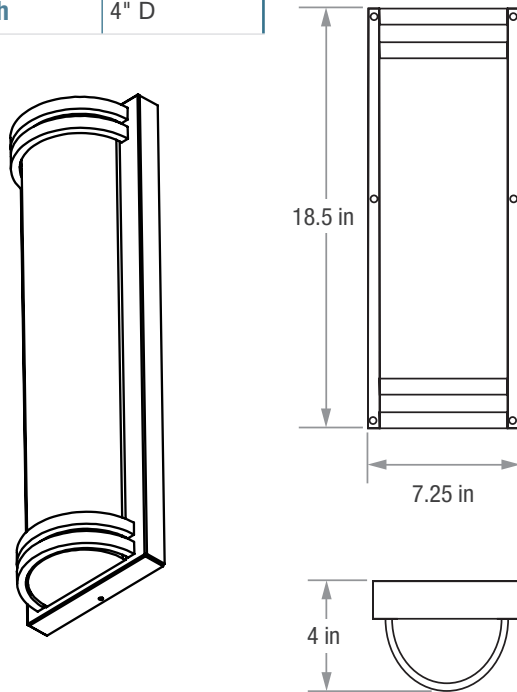


Dimensions

PRODUCT DIMENSIONS - STANDARD PRODUCT | **MOUNTING - j-box sold by others**

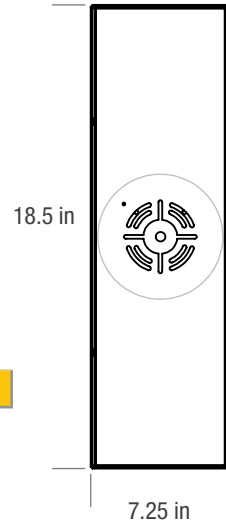
height	18.5" H
width	7.25" W
depth	4" D

mounting plate width	7.25" W
mounting plate height	18.5" H

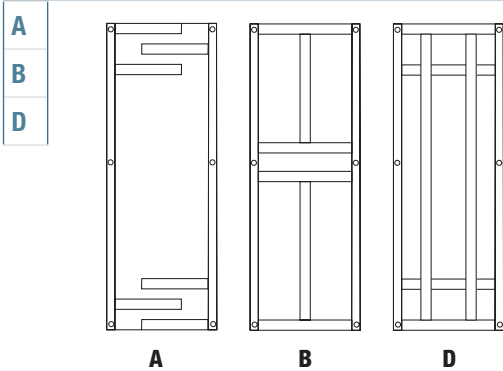


3.5" or 2.75" mounting diameter

j-box mounting plate:
mounts flush to surface and
is included with fixture



OPTIONAL FACES



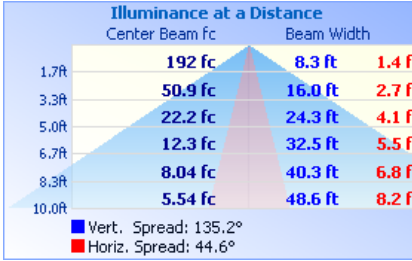
Due to continuous development and improvements, specifications are subject to change without notice. FC Lighting reserves the right to change lab test details or specifications without notice. Product use certifies agreement to FC Lighting terms and conditions. FCC Series Cylinder Lights are engineered and produced in our Illinois manufacturing facility.



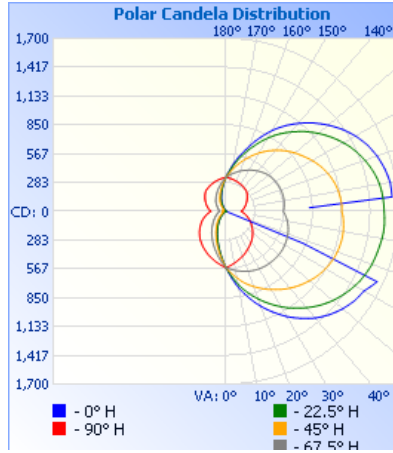
Photometry

OPTICAL DISTRIBUTION

lumen output	6220 lm @ 4000K
power consumption	70W

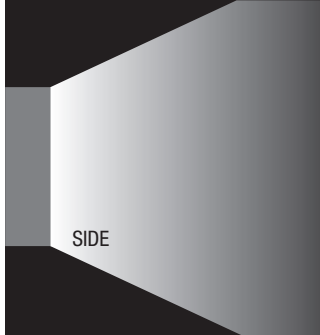


iti illuminations testing labroatory: Report #1352



FCWS7168

FIND IES FILES ON FCLIGHTING.COM



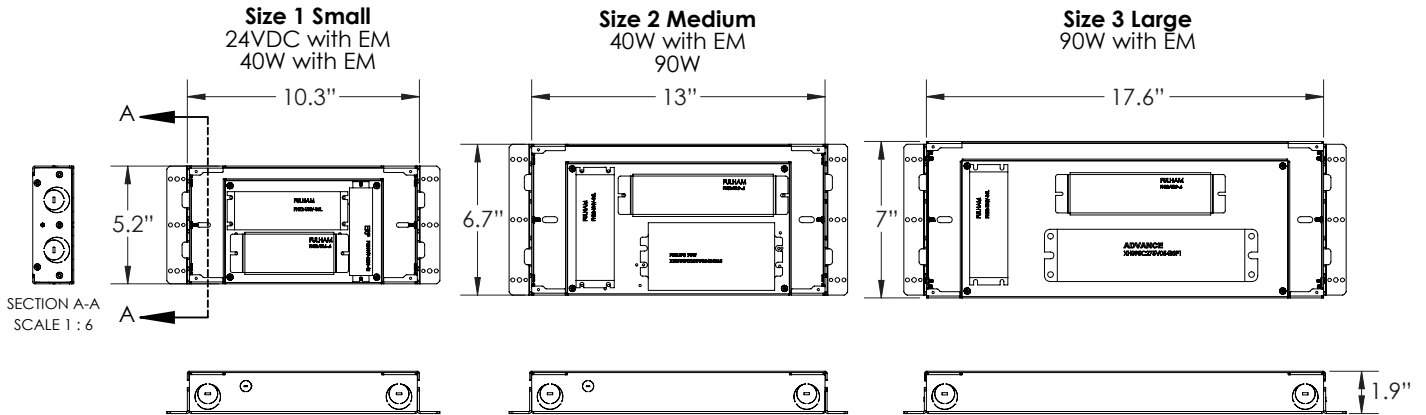
Due to continuous development and improvements, specifications are subject to change without notice. FC Lighting reserves the right to change lab test details or specifications without notice. Product use certifies agreement to FC Lighting terms and conditions. FCC Series Cylinder Lights are engineered and produced in our Illinois manufacturing facility.

US Commercial Lighting Manufacturer Since 1982

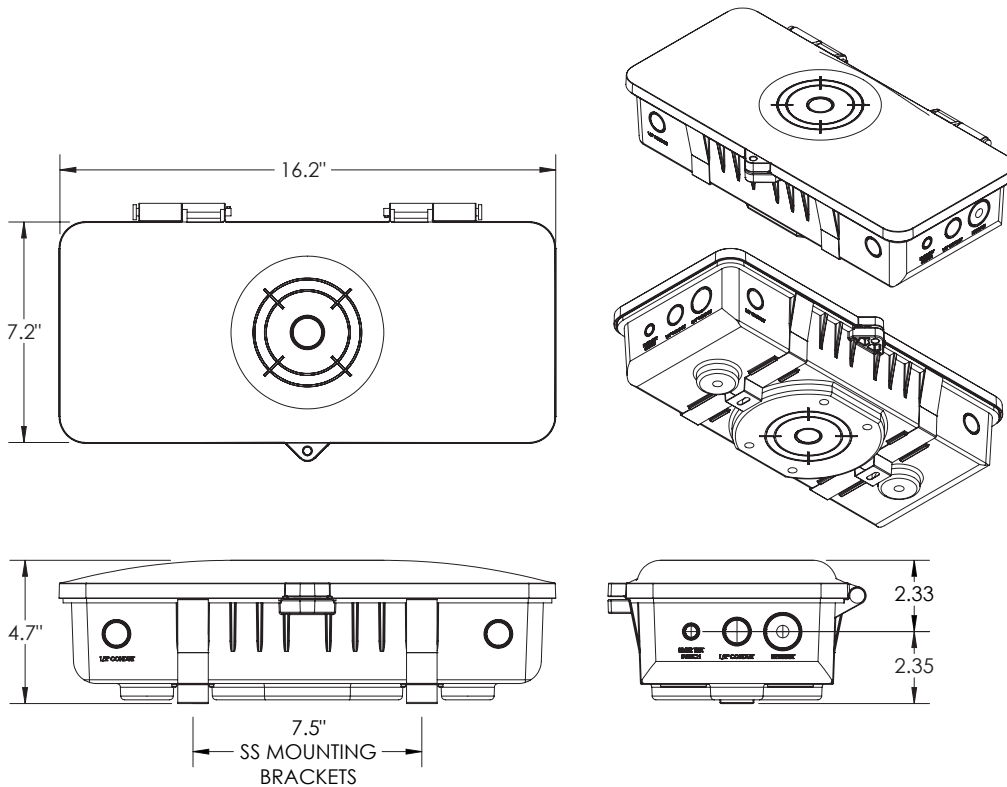
Specification Sheet

BATTERY BACK-UPS

BBUR - BATTERY BACK-UP & LED DRIVER REMOTE (INDOOR), IP20, IK08, NEMA 1, 0°C to +48°C, 30' MAX Distance with 12AWG (w/UNV Option Only)



BBUX - BATTERY BACK-UP & LED DRIVER REMOTE (OUTDOOR), IP67, IK10, NEMA 4X, -20°C to +55°C, 30' MAX Distance with 12AWG (w/UNV Option Only)



Due to continuous development and improvements, specifications are subject to change without notice. FC Lighting reserves the right to change lab test details or specifications without notice. Product use certifies agreement to FC Lighting terms and conditions. FCC Series Cylinder Lights are engineered and produced in our Illinois manufacturing facility.