

**FCWS7171**



**Date:** \_\_\_\_\_

**Type:** \_\_\_\_\_

**Luminaire:** \_\_\_\_\_

**Project:** \_\_\_\_\_

**Approved:**

**FCWS7171** Exterior Decor luminaire is an IP65 rated, ADA compliant, easy to maintain fixture that has an impact resistant lens and face options to meet the design requirements of your building.



SPECIFICATIONS	
<b>PHYSICAL</b>	
<b>dimensions</b>	50.13" H x 7.25" W x 4" D
<b>weight</b>	18 lbs
<b>housing</b>	Marine grade, corrosion resistant, heavy gauge high pressure die cast aluminum
<b>lens</b>	Impact resistant, UV stabilized, opal, polycarbonate diffuser
<b>mounting</b>	Mounts directly to standard junction box; masonry applications use four (4) 0.25" x 0.75" screws with lead anchors (fasteners not included, j-box by others)
<b>ingress protection</b>	IP65: dry, damp, or wet locations with PVC closed cell foam gasket to seal out contaminants
<b>finish</b>	Available in Brushed Aluminum, Black, Bronze, Graphite Grey, Silver, White, and Custom Colors. Six stage chemical iron phosphate conversion pre-treatment. Polyester powder coat finish, 18 µm minimum thickness, 5,000 hours salt spray test (ASTM B117) compliant with Florida, AAMA 2604 specification.
<b>PERFORMANCE</b>	
<b>color temperature</b>	2700K, 3000K, 3500K, 4000K
<b>lumen output</b>	1500 lm, 3000 lm, 5000 lm, 7400 lm, 14500 lm
<b>lumen maintenance</b>	L70 > 72,000 hours
<b>color consistency</b>	3 SDCM / Standard: 85 CRI, Optional: 90 CRI
<b>operating temperature</b>	-13°F to 104°F (-25°C to 40°C)
<b>warranty</b>	5-Year limited warranty
<b>ELECTRICAL</b>	
<b>input voltage</b>	Universal 120 - 277 VAC, Optional: 347VAC (Integral)
<b>power supply</b>	Integral Class II, electronic high-power factor > 94% @120V
<b>certifications</b>	ETL/cETL Listed, CEC Title 24 JA8 compliant (only 90CRI complies), ADA Compliant
<b>standards</b>	UL 1598, CSA C22.2 No. 250.0 - Class II, IES LM-79 / LM-80
<b>power consumption</b>	150W @ 120V - 277V (Maximum)
<b>dimming</b>	Standard: 0-10V (1%), Optional: ELV (120V only), DMX (Remote Only), DALI (Remote Only)

Due to continuous development and improvements, specifications are subject to change without notice. FC Lighting reserves the right to change lab test details or specifications without notice. Product use certifies agreement to FC Lighting terms and conditions. FCC Series Cylinder Lights are engineered and produced in our Illinois manufacturing facility.



# Ordering Information

## ORDERING INFORMATION

SERIES	VOLTAGE	CCT	CRI	LUMENS	FINISH	OPTIONS
FCWS7171	UNV 120 - 277 VAC	27K 2700K	CRI85 85 CRI (Standard)	15L 1500 lm (16W)	BA Brushed Aluminum	LD 0-10V Dimming, 1% (Standard)
	120V 120 VAC	3K 3000K	CRI90 90 CRI	30L 3000 lm (31W)	BKE Black	ELV* ELV Dimming (120 VAC Only)
	347V 347 VAC (Integral)	35K 3500K		50L 5000 lm (52W)	BRE Bronze	DMX DMX Dimming (Integral)
		4K 4000K		74L 7400 lm (77W)	GRE Graphite Grey	DALI DALI Dimming (Integral)
			145L 14500 lm (150W)	SLE Silver	A Face Plate Option A	
				WHE White	B Face Plate Option B	
				CCE Custom Color	C Face Plate Option C	

## REMOTE DRIVER & BATTERY BACKUP

SERIES	VOLTAGE	CCT	CRI	LUMENS	FINISH	OPTIONS
FCWS7171R <sup>†</sup>	UNV 120 - 277 VAC	27K 2700K	CRI85 85 CRI (Standard)	15L 1500 lm (16W)	BA Brushed Aluminum	LD 0-10V Dimming, 1% (Standard)
		3K 3000K	CRI90 90 CRI	30L 3000 lm (31W)	BKE Black	ELV* ELV Dimming (120 VAC Only)
		35K 3500K		50L 5000 lm (52W)	BRE Bronze	DMX DMX Dimming (Remote Only)
		4K 4000K		74L 7400 lm (77W)	GRE Graphite Grey	DALI DALI Dimming (Remote Only)
				145L 14500 lm (150W)	SLE Silver	BBUR <sup>1</sup> Battery Backup Remote (Indoor)
					WHE White	BBUX <sup>2</sup> Battery Backup Remote (Outdoor)
					CCE Custom Color	DRR <sup>1</sup> LED Driver Only Remote (Indoor)
						DRX <sup>2</sup> LED Driver Only Remote (Outdoor)
						A Face Plate Option A
						B Face Plate Option B
						C Face Plate Option C

<sup>†</sup> LED DRIVER REMOTE (INDOOR) IP20, IK08, NEMA 1, -20°C to +50°C, 30' MAX Distance with 12AWG.  
\* Consult factory for outdoor remote driver only.

<sup>1</sup> Battery Back-up & LED Driver Remote (Indoor), IP20, IK08, NEMA 1, 0° to 48°C (32° to 118°F), 30 FT Maximum Distance with 12AWG (with UNV Option Only), 500 Lumens Nominal (with UNV Option Only)

<sup>2</sup> Battery Back-up & LED Driver Remote (Outdoor), IP67, IK10, NEMA 4X, -20 to 55°C (-4 to 131°F), 30 FT Maximum Distance with 12AWG (with UNV Option Only), 600 Lumens Nominal

### Consult Factory for other options and configurations.

To ensure you receive proper configurations for your lighting specifications, contact us directly about any unique application requirements. This may include but not be limited to lumen output, mounting needs, or electrical requirements.

Due to continuous development and improvements, specifications are subject to change without notice. FC Lighting reserves the right to change lab test details or specifications without notice. Product use certifies agreement to FC Lighting terms and conditions. FCC Series Cylinder Lights are engineered and produced in our Illinois manufacturing facility.



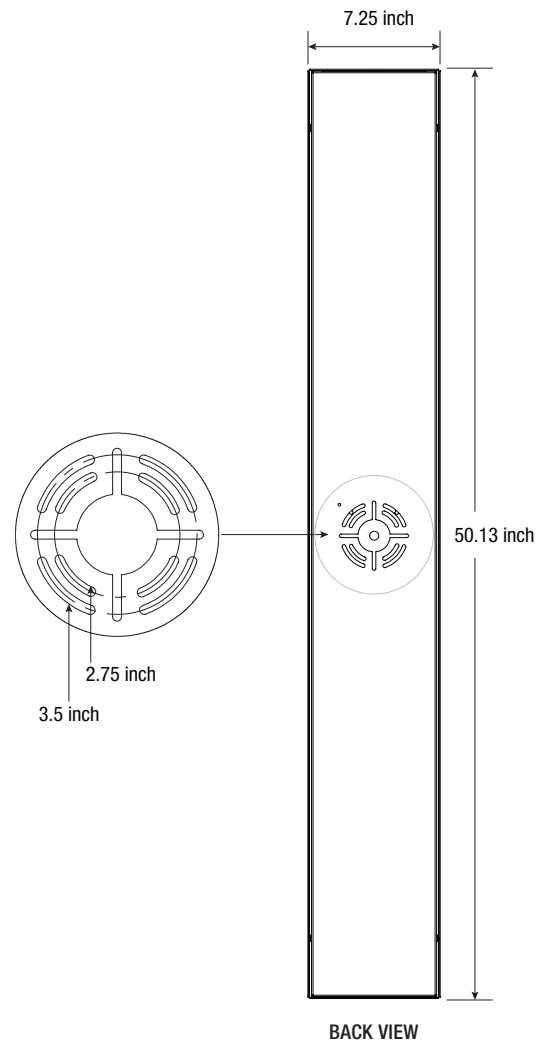
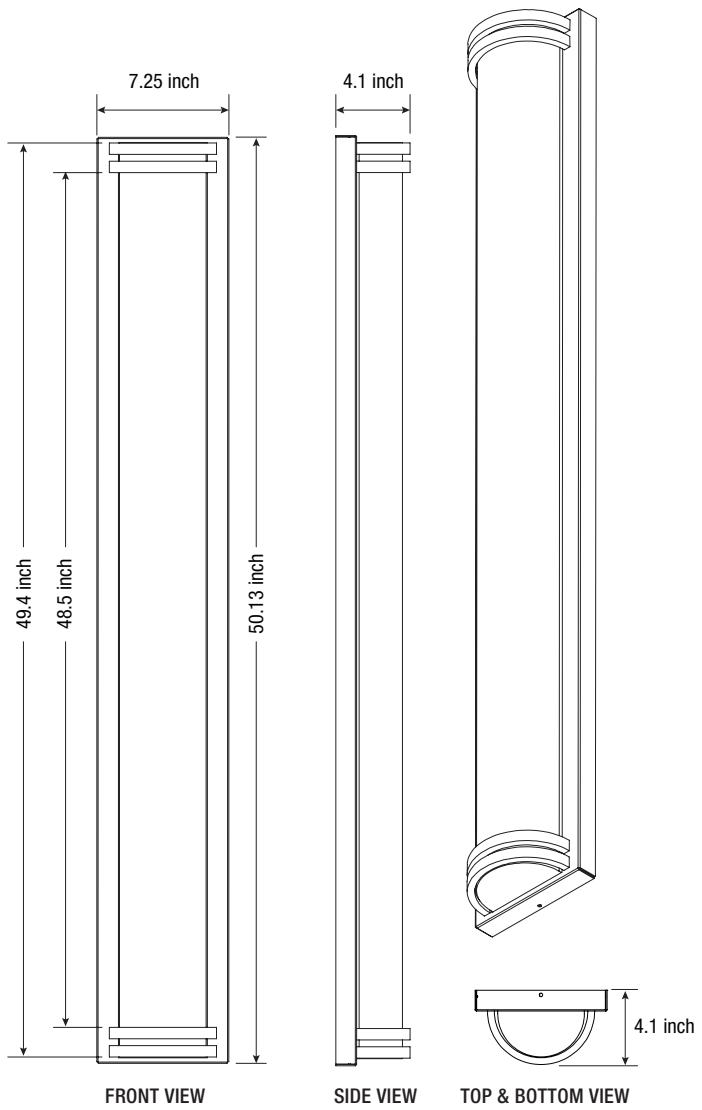
# Dimensions

**PRODUCT DIMENSIONS - STANDARD PRODUCT** | **MOUNTING - j-box sold by others**

height	50.13" H
width	7.25" W
depth	4" D

mounting plate height	50.13" H
mounting plate width	7.25" W
mounting diameter	2.75" or 3.5"

j-box mounting plate:  
mounts flush to  
surface and is included  
with luminaire

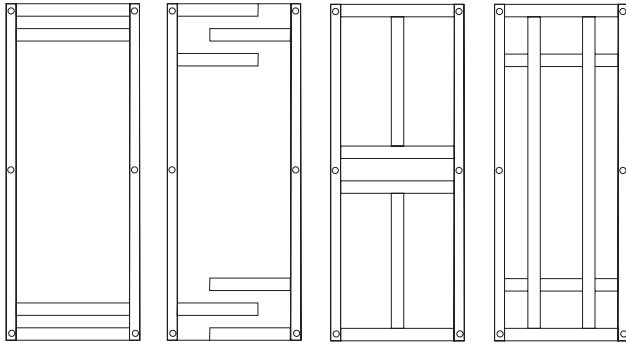


Due to continuous development and improvements, specifications are subject to change without notice. FC Lighting reserves the right to change lab test details or specifications without notice. Product use certifies agreement to FC Lighting terms and conditions. FCC Series Cylinder Lights are engineered and produced in our Illinois manufacturing facility.



# Face Plate Options & Photometry

## FACE PLATE OPTIONS



**STANDARD**  
(Included with Luminaire)

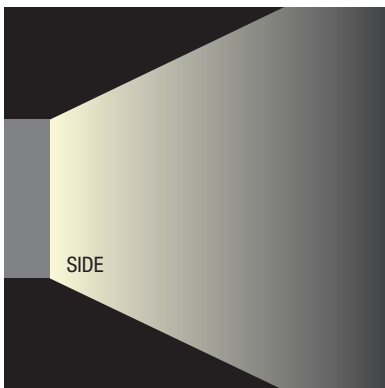
**A**  
(Optional)

**B**  
(Optional)

**C**  
(Optional)

FCWS7171

FIND IES FILES ON [FCLIGHTING.COM](http://FCLIGHTING.COM)

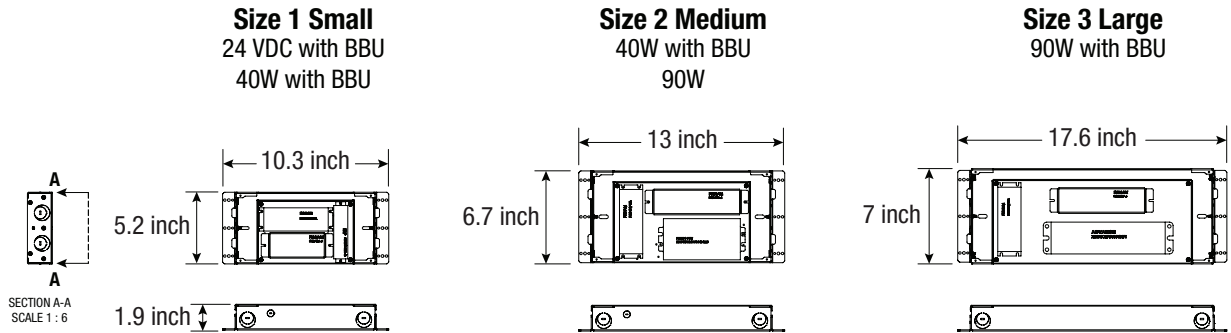


Due to continuous development and improvements, specifications are subject to change without notice. FC Lighting reserves the right to change lab test details or specifications without notice. Product use certifies agreement to FC Lighting terms and conditions. FCC Series Cylinder Lights are engineered and produced in our Illinois manufacturing facility.

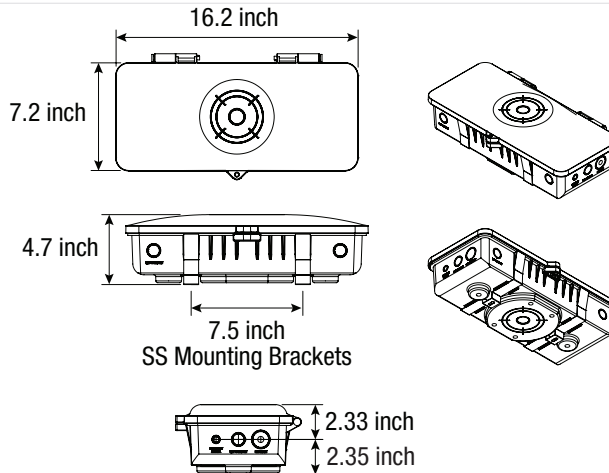


# Battery Backups

**BBUR** — Battery Backup & LED Driver Remote (Indoor), IP20, IK08, NEMA 1, 0 to 48 °C (32 to 118 °F), 30 feet Maximum Distance with 12 AWG (with UNV Option Only)



**BBUX** — Battery Backup & LED Driver Remote (Outdoor), IP67, IK10, NEMA 4X, -20 to 55 °C (-4 to 131 °F), 30 feet Maximum Distance with 12AWG (with UNV Option Only)



Due to continuous development and improvements, specifications are subject to change without notice. FC Lighting reserves the right to change lab test details or specifications without notice. Product use certifies agreement to FC Lighting terms and conditions. FCC Series Cylinder Lights are engineered and produced in our Illinois manufacturing facility.